

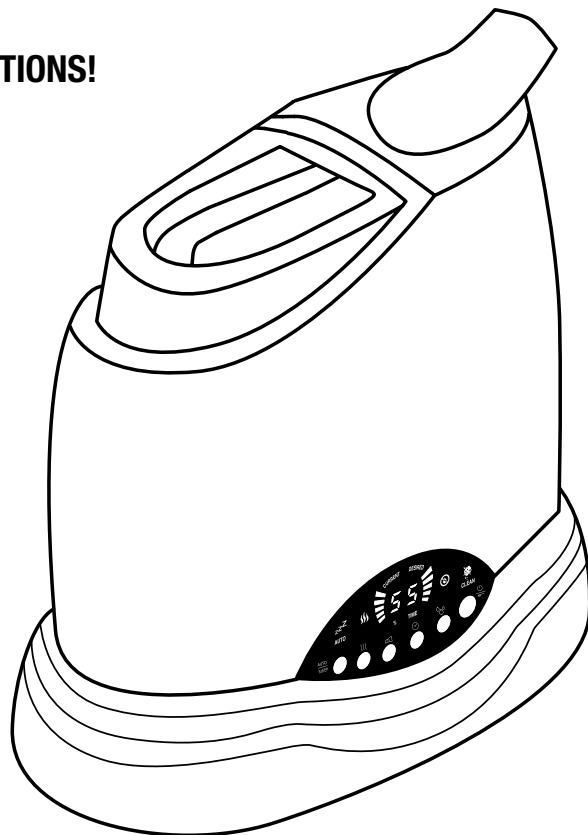
**PLEASE READ AND SAVE  
ALL INSTRUCTIONS!**

**LISEZ ET CONSERVEZ  
TOUTES LES INSTRUCTIONS!**

**¡POR FAVOR LEA Y  
GUARDE TODAS  
LAS INSTRUCCIONES!**

# BONECO

healthy air



**7135**



---

**Instructions for use (5 – 16)**

**en**

---

**Instructions d'utilisation (17 – 28)**

**fr**

---

**Instrucciones para el uso (29 – 42)**

---

**es**



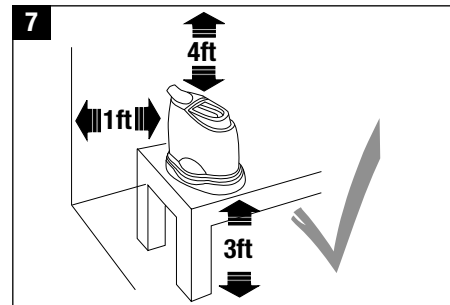
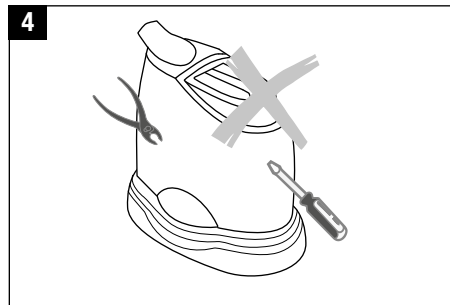


## PLEASE READ AND SAVE ALL THESE INSTRUCTIONS!

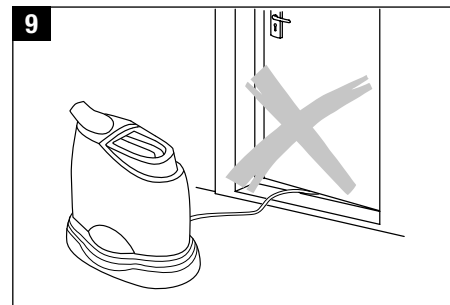
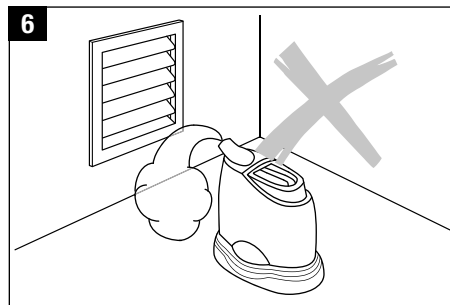
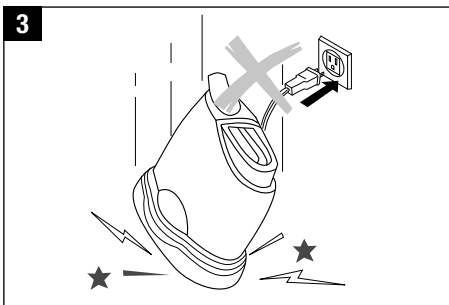
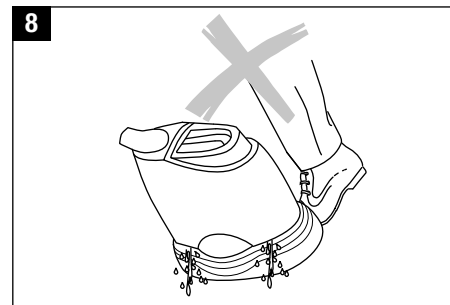
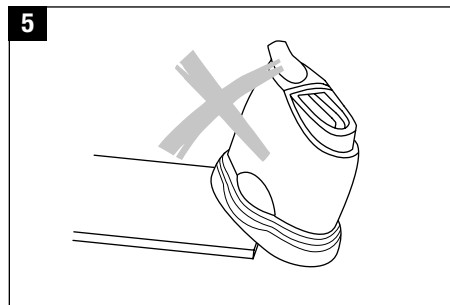
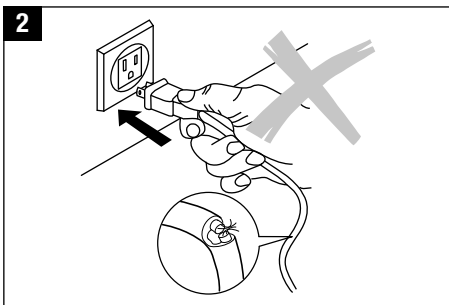
### Important safety instructions

- Prior to using the appliance, read through the instructions for complete use and retain in a safe place for later reference.
- **WARNING** – Only use the Ultrasonic indoors and within the specified technical data. Improper use can be hazardous for the health and lead to critical injury.
- Connect the unit only to alternating current (AC) with voltage according to the rating label.
- Children cannot recognize the hazards associated with the usage of electrical appliances. For this reason, always supervise children when they are near the humidifier (image 1).
- Never use the appliance if there is any damage to the appliance or cable (2), after malfunction, after the appliance has been dropped (3) or damaged in any other way.
- Repairs of electrical appliances are only to be made by qualified service engineers (4). Improper repair work can cause considerable danger to the user.
- Place the humidifier on a dry, level surface (5).
- **Do not place the appliance directly on the floor** or next to a heating vent (6).
- If the mist comes in contact with the floor prior to evaporating, the floor surface can become damaged. We do not accept any liability for damages in the case of incorrect placement of the unit.
- The unit should be placed in an elevated position (7), e.g. on a table, chest of drawers, etc.
- Place appliance where it is not easily knocked over (8).
- Always unplug when not in use.
- Only operate the humidifier when it is completely assembled.
- **ALWAYS** unplug before removing/filling/emptying the water tank, before cleaning/maintaining, assembling/dismantling of individual parts and before moving the appliance.

- Do not touch the water in the base during operation because of high frequency vibrations in the water.
- Do not run power cords under carpets, and do not cover with throw rugs. Arrange cord so that it will not be tripped over.
- Never pull the plug from the outlet by the cable or with wet hands.
- Do not use the appliance where combustible gases or vapors are present.
- Do not expose the appliance to rain, or use near water, in a bathroom, laundry area or other damp location.
- This unit must be used in its upright position.
- Do not allow foreign objects to enter ventilation or exhaust opening as this may cause electric shock or damage to the appliance. Do not block air outlets or intakes.
- Do not pour water into the mist outlet of the appliance.
- This appliance has a polarized plug (one blade is wider than the other). To reduce risk of shock, this plug is intended to fit in a polarized outlet only one way. If the plug does not fit fully in the outlet, reverse the plug. If it still does not fit, contact a qualified electrician. **DO NOT** attempt to defeat this safety feature.
- A loose fit between the plug (receptacle) and the AC outlet may cause overheating and a distortion of the plug. Contact a qualified electrician to replace loose or worn receptacles.
- Do not sit, stand or place any heavy objects on the appliance.
- Do not submerge the main body in water or other liquids.
- Disconnect power supply before servicing.
- Persons who are not familiar with the instructions for use, as well as children and persons under the influence of medication, alcohol, or drugs are not permitted to operate the appliance, or are only permitted to operate it under supervision.
- To protect **health safety** and **proper humidifier** function use only clean, contamination-free, cold, fresh tap water in your humidifier. If your water source is contaminated or if you are uncertain of its safety use distilled water. In addition, it is advised to **clean and maintain your humidifier** in a timely manner **as instructed in this manual**.
- The use of water additives, such as ethereal/essential oils, fragrances, eucalyptus, water conditioners etc., damages the tank material and as a consequence the whole unit. Any use of such additives will void the manufacturer's warranty.
- Remark: Neither humans nor animals can hear the high frequency vibrations.



en



## Foreword

Congratulations on choosing the Ultrasonic humidifier 7135!

Did you know that dry room air:

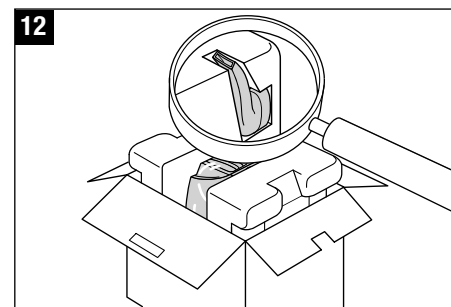
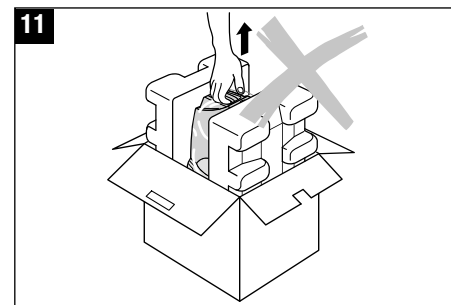
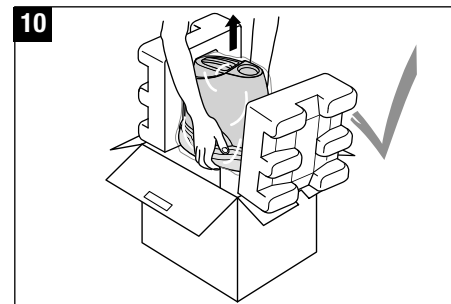
- Causes the membranes in your respiratory system to dry out, and also causes chapped lips and stinging eyes?
- Encourages infections and illnesses of respiratory system?
- Causes weariness, tiredness and poor concentration?
- Stresses household pets and house plants?
- Encourages the formation of dust and the electrostatic charging of textiles made of synthetic fibers, carpets and plastic flooring?
- Damages furnishings made of wood and parquet?
- Detunes musical instruments?

## General information

A comfortable atmosphere indoors is reached with a relative humidity level between 40 and 60%. Your humidifier automatically controls the humidity level according to desired setting. If the air is too dry, the humidifier will automatically switch on. As soon as the desired humidity level is reached, it will switch off.

## Unpacking

- Carefully remove the humidifier from the box. Place your hands underneath the product to pull it out of the box (10).
- Warning: Do not take the unit out of the box by pulling up on the tank handle – base may fall and will be damaged (11).
- Warning: The mist outlet is packed in a red bag inside the box insert. Make sure that you remove the mist outlet from the packaging (12).
- Remove the plastic bag from the humidifier.
- Observe the information given on the rating plate about the voltage.
- Use the original packaging for storing the appliance if you do not use the humidifier all year round.





## Description of the appliance

Mist outlet (rotating)

Hydro Cell

Evaporation chamber

Water tank

A250 AQUA PRO

Water tank cap

Brush

Water base

Control panel

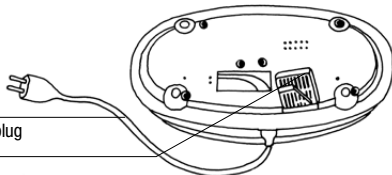
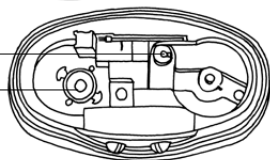
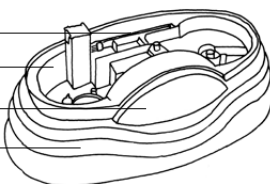
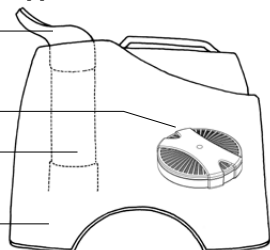
Main body

Water level sensor

Membrane

Power plug

Air inlet

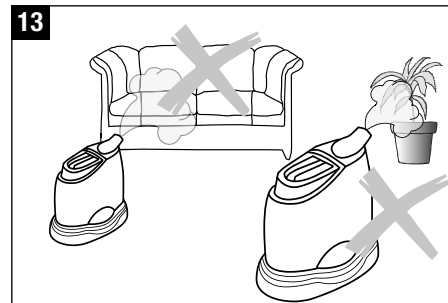


## Setting up

Finding the ideal location for your unit:

- Do not place the humidifier directly next to a heating vent or on a floor with floor heating. The moisture of the mist can damage the floor surface (6) (see Safety Instructions).
- The unit should be placed in an elevated position (7), e.g. on a table, chest, etc. at least 3 ft off the floor.
- The mist outlet must not be pointed directly at plants, furniture, or other objects (13). Keep distance of at least 20 inches (50 cm).
- Please refer to the enclosed manual for putting the A250 AQUA PRO into operation.
- Read the instructions under «Filling the tank» for adding water in the humidifier (14 and 15).
- Place the water tank onto the base.
- Insert the plug into the socket and switch on the appliance using the on/off button (18).
- About 10 to 15 minutes after it is switched on the device will reach its full output level.
- Make sure that the cable is not pinched anywhere (9). Do not operate the humidifier if the cable is damaged (2).

13



en

## Filling the tank



Always unplug the unit before removing the water tank. Do not touch the water in the base during operation!



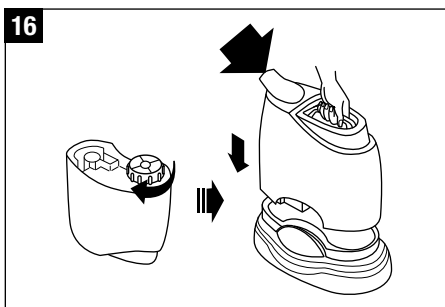
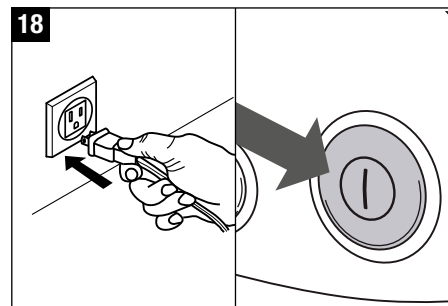
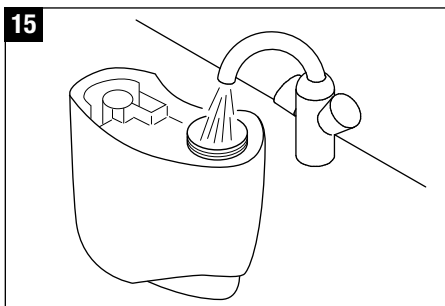
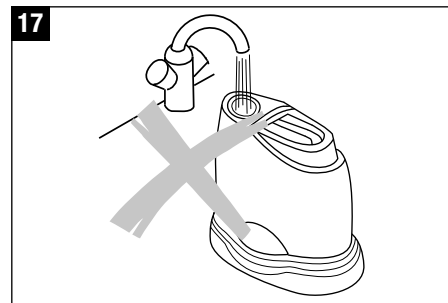
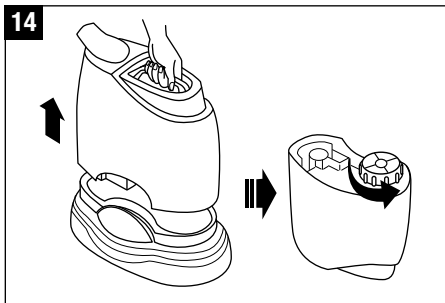
To protect **health safety** and **proper humidifier** function use only clean, contamination-free, cold, fresh tap water in your humidifier. If your water source is contaminated or if you are uncertain of its safety use distilled water.

Do not operate the humidifier when the water tank is empty! When the water reaches the minimum level, the unit switches off the nebulizer function automatically. The red light comes on indicating tank is empty.

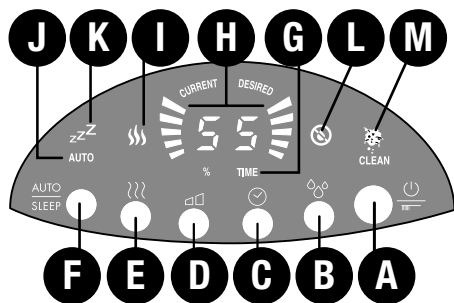
- Remove the water tank from the base and unscrew the water tank cap (14). Caution: the mist outlet is loose!
- Make sure that no foreign objects are in the water tank.
- Fill the tank with clean, cold water from the tap (15). Close the cap of the water tank securely, place the water tank onto the base (16). The water is now running from the tank into the base.
- Do not pour water into the mist outlet of the appliance (17).
- Insert the plug into the socket and switch on the appliance using the on/off button (18). The red empty indicator light may stay illuminated for some seconds until the base is filled with water.

## Do not use additives

Water additives (ethereal/essential oils, fragrances, eucalyptus, water conditioners, etc.) must not be used! Even a small amount can cause cracks in the material. The material isn't made for the use of such additives. One drop is enough to damage the tank and as a consequence the unit. Any use of such additives will void the manufacturer's warranty.



## Operation 7135



### A) On/Off button

You can switch the unit on or off by pressing button A. This button is also used to reset the cleaning indicator light (by holding down).

### B) Hygrostat (setting the humidity level)

By pressing button B you can set the desired humidity level in %. A relative humidity between 40% and 60% is recommended. The accuracy of measurement is +/- 5%. The unit will switch off when the moisture level exceeds the desired setting. The device does not switch off if the display is set to «Co» (continuous operation). During selection the target value is displayed. The display will automatically show the current value after a few seconds.

### C) Timer

Using button C, the operation time can be set adjustable between 1 and 9 hours or co (continuous operation). **Symbol G** shows the operating period that has been set (1h/2h/3h/4h/5h/6h/7h/8h/9h/co). The display will automatically show the current value after a few seconds.

### D) Mist output (regulating mist output)

The mist output can be regulated by pressing button D several times. If the red bars are displayed, you have selected the highest level of mist output (**symbol H**).

### E) Operation with water pre-heating (warm mist)

Button E is used for switching the pre-heating on and off (**symbol I** lights up). As a result, the water is pre-heated to a temperature of 176 °F (80 °C) before entering the nebulizer space. It takes approx. 10 to 15 minutes for the water in the base to warm up. The mist now leaves the humidifier at a pleasant temperature of 104 °F (40 °C). The advantage of this is that the room temperature does not drop and, in addition, it significantly improves the water quality maintenance.

### F) Automatic mode and Sleep mode

The automatic and sleep modes can be activated by pressing button F. By pressing the button once, the automatic function is switched on (**symbol J** appears on the display), maintaining the optimum humidity subject to the temperature. Control takes place by means of output quantity and pre-set target value. If the sleep function is switched on (the **symbol K** appears on the display), the target humidity is 60%; the operation time is automatically set at 8 hours; the heating is switched on. In addition, the output quantity is also controlled subject to the difference between the target value and the actual value.

The Timer cannot be changed in either mode. If other buttons are pressed, the unit will no longer be in auto or sleep mode.

### G) Timer Indicator

### H) Mist Output Indicator

### I) Pre-heating Indicator

### J) Automatic Mode Indicator

### K) Sleep Mode Indicator

### L) Empty indicator

The water level is easy to see, thanks to the transparent water tank. The appliance also alerts you when the water tank is empty. The empty indicator is illuminated (**symbol L**). Please read the chapter «Filling the tank» for more information. The symbol L may stay illuminated for some seconds with a refilled tank until the base is filled with water.

### M) Cleaning indicator

If symbol M and «CLEAN» appear on the display, the appliance should be cleaned as recommended by the manufacturer. This symbol comes on automatically every 2 weeks, depending on the level of use. **The display can be reset by holding down button A until the light disappears.**

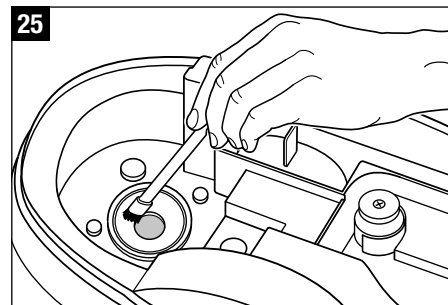
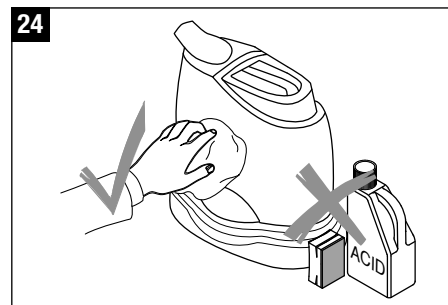
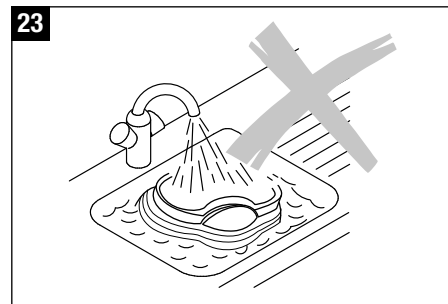
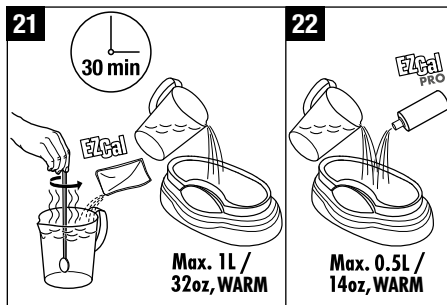
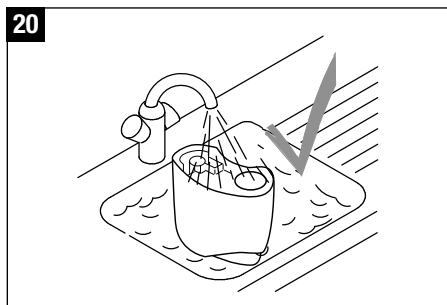
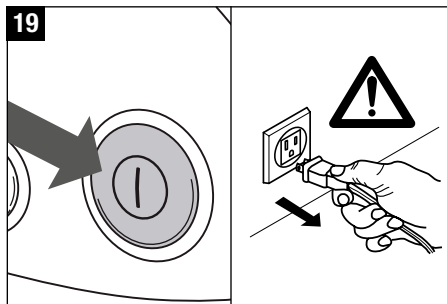
## Cleaning/Maintenance



Always unplug the unit before removing the water tank. Do not touch the water in the base during operation!

### Caution – risk of electric shock and damage of the product!

- Switch off the appliance and unplug it from the socket before cleaning it (19).
- Clean the water tank and the base regularly. Use water only, no detergents (20).
- Use EZCal and EZCal PRO custom cleaning and descaling agents only to remove deposits from the membrane regularly (21 and 22). There is a sample of EZCal included in the packaging of your humidifier. Instructions for using are on the packet. Only use 1 packet for 32 oz of water. Do not change the ratio. Do NOT run the unit when using EZCal and EZCal PRO. This can cause damage to the product and voids the warranty. Thoroughly rinse the base with tap water after using EZCal and EZCal PRO and make sure no EZCal and EZCal PRO residues remains in the base.





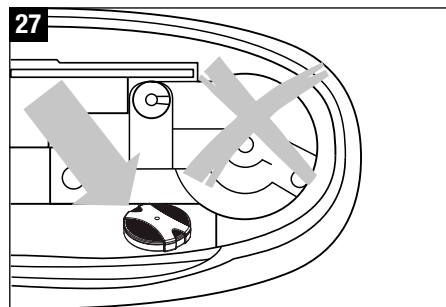
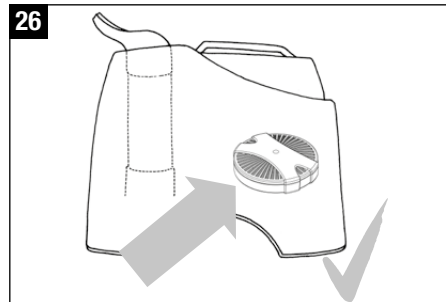
EZCal and EZCal PRO are the only recommended cleaning and descaling solutions. Do NOT use any other cleaning solutions since it can damage the product. Any use of cleaning solutions apart from EZCal and EZCal PRO will void the warranty.

- Make sure main body is never submerged in water (23)!
- The cleaning indicator still appears on the display after cleaning. To reset it hold down the ON/OFF button until the clean light stops flashing.
- Clean the inner parts with a soft cloth. Do not use any solvents or aggressive cleaning agents to clean the appliance (24).
- Only use the brush to clean the membrane. This should be done once a week. Only use the soft-bristle portion of the brush (25).
- Change the water in the tank at least once a week if water is standing for more than a week.

### Water quality maintenance

The Hydro Cell keeps humidifiers operating at their highest level between recommended cleanings. Good for approximately one to two months, depending on the water quality, the Hydro Cell ensures the humidifier's functionality while providing fresh humidification performance. It starts to work as soon as it comes in to contact with water, even if the unit is turned off. The Hydro Cell should be changed every one to two months\*. Look at picture 26/27 for the position of the Hydro Cell in the water tank of the unit. Switch off the unit first. Contact your local retailer or check our website [www.boneco.us](http://www.boneco.us) for reorder information.

\* Depending on the water quality.



## Storing the appliance for extended periods

Clean the appliance as described earlier and allow to dry thoroughly. Preferably store the appliance in its original box, in a dry place away from high temperatures.

## Legal notice

The humidifier is cUL-listed.

Subject to technical change. The instructions for use are protected by copyright © BONECO AG.

## Accessories

Contact your local retailer or check our website [www.boneco.us](http://www.boneco.us) for re-order information.

## Customer Service

Customer Service (USA) 1-800-336-0326

[www.boneco.us](http://www.boneco.us)

## Technical data

Electrical voltage	120 V / 60 Hz
Power consumption up to	45 W / (140W*)
Humidity output up to	3.5 gallons / 24 h*
Suitable for rooms up to	650 sq ft / 60 m <sup>2</sup>
Dimensions (LxWxH)	15 x 8.7 x 13.8 in 38 x 22 x 35 cm
Weight (empty)	7.7 lbs / 3.5 kg
Accessories	A250 AQUA PRO Hydro Cell A200 EZCal A7417 EZCal PRO A100

\* when used with pre-heating to 176 °F (80 °C)

## Troubleshooting

Problem	Possible cause	What to do
Unit does not operate	Power cable not plugged in	Plug in power cable
	No water in the tank (Empty indicator on)	Fill tank with water and wait 10 min.
No mist output	Unit needs cleaning	Descal the water base using EZCal and EZCal PRO
	A250 AQUA PRO exhausted	Replace A250 AQUA PRO
Weak mist output	Water temperature too low	Set mist output to maximum, after 15 min. the humidifier will work properly again
	Mineral deposits on membrane	Clean membrane using EZCal and EZCal PRO and brush
Unit running intermittently		Replace A250 AQUA PRO
White dust around the humidifier	A250 AQUA PRO exhausted	

## General Humidifier Questions

### Q. Why isn't there enough moisture in my room?

A. How often do you run the unit? If the unit is only run at night, then during the day the moisture level will drop if moisture is not constantly added to the air.

### Q. Do you leave your door open or closed when the unit is running?

- A. a) By leaving the door open, this allows moisture to leave the room and go into other areas of the house. If you would like the moisture to stay within one specific room you should consider closing the door while the unit is running.
- b) Wood, leather, carpet, curtains, and other types of fabric soak up a lot of moisture, thus not leaving enough moisture for the air. If the window is left open, then this allows moisture to escape the room. Another factor is a lot of times the unit is placed next to a heating device. The idea is that the air blowing into the room will quickly place moisture around the room. Unfortunately, this concept does not work because the hot air coming out of a vent will soak up most of the moisture, and none of the air within the room will receive any.

### Q. How much moisture do I need in my room?

A. Suggested humidity levels are between 40 – 60%.

### Q. What are the effects of too little or too much humidity?

A. Dry air can cause dry skin, static electricity, out of tune musical instruments, increased levels of dust (dry air causes dust to rise), damage to wooden objects (dry out and eventually cracks appear), discomfort, sickness, and dries out nasal membranes. Over-humidifying the air can cause mold and wallpaper to peel.

### Q. Why do I need a humidifier when I can just open my window?

A. The moisture level within the outside air is not high enough to humidify a room. The colder the air the less moisture it is capable to hold, and the more the air is heated up the percentage of relative humidity is lower. Relative humidity means the amount of water vapor in the air, compared to the amount the air could hold if it was totally saturated. The difference is higher between outside and inside temperatures; more humidification is needed because of the dry air in the room.

### Q. Where should I place my humidifier?

A. The unit should be free-standing and not close to a wall, window, door, or thermal bridge so that air may circulate around the unit.

## Ultrasonic Frequent Questions

### Q. There is no fill-line on the water tank, how far may I fill it up?

A. There is no fill line on the water tank, and it may be filled all the way to the top.

### Q. Is it ok to use distilled water with the unit?

A. For best results with your ultrasonic humidifier use distilled or reverse-osmosis water.

### Q. The directions tell me not to place the unit directly on the floor, why do I have to elevate the unit?

A. The idea with this unit is to allow one to force humidity into the air. Because of this, the carpeting or wood floor surrounding the unit may become damp. If the unit is placed at least 3 feet off the floor, the mist will have the opportunity to evaporate before hitting the floor.

### Q. Water does not go into the tank.

A. In order to fill the tank, it must be turned upside down. The cartridge is placed on the water tank cap. Do not pour water in the tube which is the mist outlet.

### Q. White dust is emitted from the unit

A. White dust particles are minerals that are broken up in tiny pieces by the ultrasonic process.

#### **Solve the problem:**

- Don't use water from a pre-installed water softener, or sodium instead of calcium will be emitted from the unit. Use distilled water instead.
- For very hard water areas use only distilled water.
- Use Reverse-Osmosis water (R-O water) instead of distilled water.

#### • **Cleaning light is illuminated (digital models)**

Switch off the unit and unplug it. Empty the water in the base. Rinse the base with warm/clean water. Do not submerge the base! Visually inspect the base for dirt or mineral build up. If soft water is used decalcifying the unit every 4 weeks with EZCal is suggested. If hard water is used the unit should be decalcified every 2 weeks. Do not forget to reset the clean light after resetting the unit.

#### Q. **Reset cleaning light (digital models)**

A. The cleaning light does not automatically reset. Hold down the power button (button A in instruction manual) until the light stops flashing. The light automatically comes on approx. after 14 days of plugging in the unit.

#### Q. **The hygrometer on unit reads a different humidity level than external hygrometer.**

A. Not all hygrometers are calibrated the same, and most are off by +/- 5%. Plus the humidity level is not the same in the whole room. The air circulation is different in every corner of the room. The unit should not be placed near a heating vent or a radiator as the heat will absorb all of the moisture.

#### Q. **Humidity level is not changing or does not reach the desired humidity level.**

A. If the water tank needs refilling more than once per day, the unit is working properly and the climatic condition in the room has an influence on the humidity.

### Reasons for low humidity level:

- air circulation is very high (air is fully exchanged several times per day – the humidifier needs to start its work from scratch)
- insulation of home (see air circulation)
- open space with high ceilings (not only the footage of the room counts but also the height) – high-rise buildings require more humidification.
- open windows – works similar to air circulation (if it is very cold outside don't open the window more than 2 times per day for 3 minutes)
- big difference between outside temperature and inside temperature – the colder the air the less moisture it is capable to hold and the more the air is heated up the lower is the percentage of relative humidity (=the amount of water vapor in the air, compared to the amount the air could hold if it was totally saturated)
- position of the unit - if it is placed close to a door, window or air vent. This increases the air circulation.

### Q. Tank is leaking

- A. Check if there are any hairline cracks. Dropped units or water tanks that are cracked will not be covered under the warranty. Please contact the retailer the unit was purchased from in case your unit arrives damaged.

### Q. Placing the face in the mist

- A. It is not recommended that anybody places their face in the mist. It is an electrical product and should not be played with.

### Q. No mist / unit is not working / empty indicator keeps flashing

- A. Fill up the water tank. Check if water is flowing through the A250 AQUA PRO (attached to the water tank cap). If the water tank is full but there is only little water in the base it indicates that the water is now flowing through the A250 AQUA PRO.
- Wait for 15 minutes to allow the mist to come out of the unit.

- If the unit is not working and the empty light is not flashing you might have set the desired humidity too low and the current humidity level in the room is higher. That is why the unit switches off automatically.
- If the empty indicator keeps flashing and the tank is full, the water is not flowing through the cartridge. Exchange the A250 AQUA PRO after 2-6 months, in areas with hard water exchange the cartridge after 1-2 months. However, the A250 AQUA PRO must be exchanged at the latest after 6 months or the unit does not reach its full performance anymore.

### Q. Water tank cap is too tight to unscrew

- A. This could be a cause of the air pressure within the water tank. Depress the spring on the bottom of the water tank cap to release air from the water tank. Continue to do this until you are able to unscrew the water tank cap.

## Accessories

### Q. Do I need to keep any parts before I replace the A250 AQUA PRO?

- A. Yes, always keep the water tank cap (this is the piece that attaches the A250 AQUA PRO to the water tank).

### Q. What is the Hydro Cell and how long is it good for?

- A. The Hydro Cell keeps humidifiers operating at their highest level between recommended cleanings\*. Good for approximately one to two months, depending on the water quality, the Hydro Cell ensures the humidifier's functionality while providing fresh humidification performance. It needs to be replaced every one to two months\*.

\* Depending on the water quality.

### Q. Placement of the Hydro Cell

- A. Please see picture 26/27 for instructions.

### Q. What is EZCal and EZCal PRO?

- A. There is a sample packet of EZCal included in the packaging of your humidifier. EZCal and EZCal PRO are used for cleaning and descaling any of the humidifiers and cleans mineral build-up. EZCal and EZCal PRO are the only recommended cleaning and descaling solutions. Do NOT use any other cleaning solutions since it can damage the product. Any use of cleaning solutions apart from EZCal and EZCal PRO will void the warranty. Instructions for using are on the packet. Only use 1 packet for 32 oz of water. Do not change the ratio. It can also be used for other humidifier brands. Thoroughly rinse the base with tap water and make sure no EZCal and EZCal PRO residues remains in the base! EZCal and EZCal PRO are available at selected retail stores and online [www.boneco.us](http://www.boneco.us).

**Please refer to the enclosed manual for putting the A250 AQUA PRO into operation.**





# LISEZ ET CONSERVEZ TOUTES LES INSTRUCTIONS!

fr

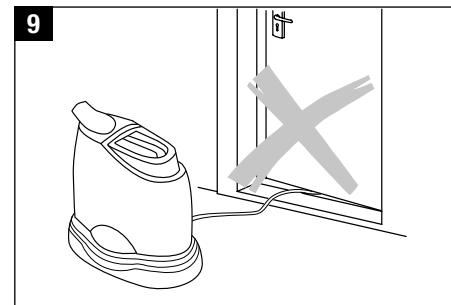
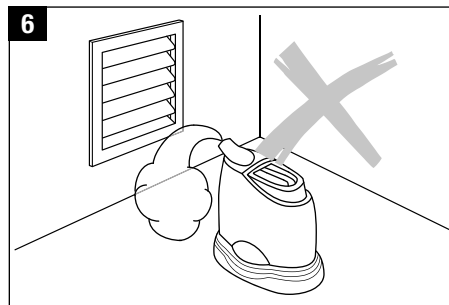
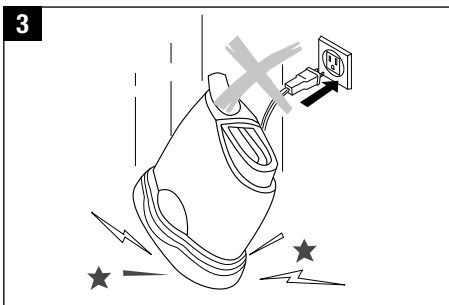
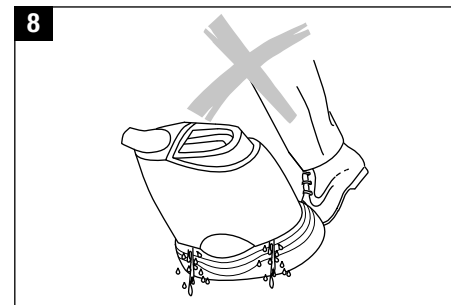
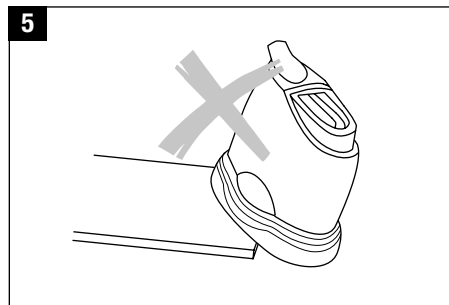
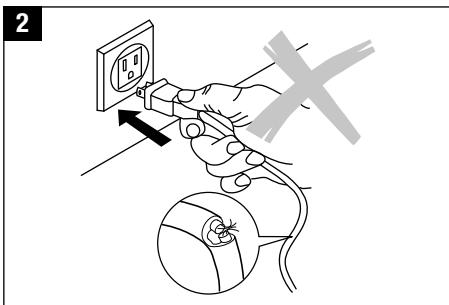
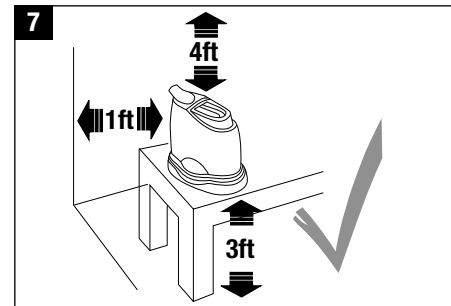
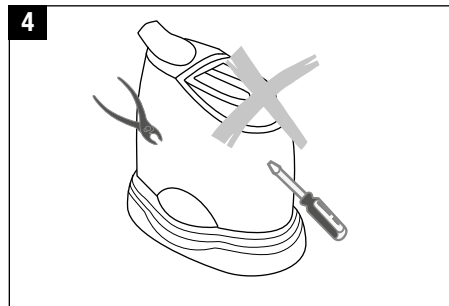
## Consignes de sécurité importantes

- Avant la mise en service, lisez attentivement et entièrement les instructions, puis rangez soigneusement ces dernières pour tout besoin ultérieur.
- AVERTISSEMENT – N'utilisez l'appareil qu'à l'intérieur et dans les conditions recommandées. Toute utilisation non conforme est susceptible de mettre votre santé en danger.
- Ne branchez l'appareil qu'au courant alternatif – la tension doit correspondre à celle indiquée sur la plaque signalétique de l'appareil.
- Les enfants n'ont pas conscience des risques liés à l'utilisation d'appareils électriques. Surveillez-les donc en permanence lorsqu'ils se trouvent à proximité du humidificateur (image 1).
- Ne mettez jamais l'appareil en service lorsqu'un câble ou une prise est détérioré (2), ni après des dysfonctionnements ou lorsque l'appareil a été échappé (3) ou autre dommage quelconque.
- Les réparations d'appareils électriques ne doivent être exécutées que par des experts autorisés (4). Des réparations non professionnelles peuvent causer des dangers considérables pour l'utilisateur.
- Ne posez l'humidificateur que sur une surface sèche et plane (5).
- **Ne posez pas l'appareil directement sur le plancher** ni à côté du chauffage (6). Si la brume entre en contact avec le plancher avant l'évaporation, la surface du plancher peut être endommagée. Nous n'acceptons aucune responsabilité pour les dommages en cas d'un emplacement inapproprié de l'appareil.
- L'appareil doit être posé en hauteur (7), par exemple sur une table, une commode, etc.
- Placez l'appareil à un endroit tel qu'il ne soit pas facilement heurté par quiconque (8).
- Débranchez toujours l'appareil lorsqu'il n'est pas utilisé.

- L'humidificateur doit être mis en service uniquement lorsqu'il est entièrement assemblé.
- Débranchez TOUJOURS la prise avant d'enlever, de remplir et de vider le réservoir d'eau; avant de nettoyer, d'effectuer la maintenance, l'assemblage, le désassemblage des pièces et avant de déplacer l'appareil.
- Ne mettez pas les mains dans la chambre de vaporisation lorsque l'appareil fonctionne et émet de hautes fréquences.
- Ne mettez pas le cordon d'alimentation sous le tapis et ne le couvrez pas par des moquettes. Placez le cordon de sorte que personne ne puisse trébucher.
- Ne débranchez jamais la fiche de la prise en tirant sur le cordon ou lorsque vos mains sont mouillées.
- N'utilisez pas l'appareil en présence de gaz ou de vapeurs inflammables.
- N'exposez pas l'appareil à la pluie, ne l'utilisez pas à proximité de l'eau, dans une salle de bain, dans une buanderie, ni dans toute autre pièce humide.
- Utilisez uniquement l'appareil en position verticale.
- Veillez à ce qu'aucun objet étranger ne pénètre dans les ouvertures de ventilation ou d'évacuation. Cela pourrait engendrer des chocs électriques ou endommager l'appareil. Ne bloquez pas les sorties ni les entrées d'air.
- Ne versez pas d'eau dans la buse de brumisation de l'appareil!
- La fiche de cet appareil est polarisée (une lame est plus large que l'autre). Afin de réduire les risques de chocs électriques, cette fiche est conçue de façon à ne pouvoir être introduite dans une prise que d'une seule manière. Si la fiche ne s'insère pas totalement dans la prise, retournez-la. Si elle ne s'insère toujours pas dans la prise, contactez un électricien qualifié. N'essayez PAS de contourner ce dispositif de sécurité.
- Une mauvaise adaptation entre la fiche et la prise CA peut entraîner une surchauffe et une déformation

de la fiche. Contactez un électricien qualifié pour le remplacement de toute prise lâche ou trop usée.

- Ne montez pas, ne vous assoyez pas et ne posez pas d'objets lourds sur l'appareil.
- Ne plongez jamais le boîtier principal dans de l'eau ou d'autres liquides.
- Retirez la fiche de la prise de courant avant d'effectuer l'entretien.
- Ne laissez pas les personnes qui n'ont pas pris connaissance du mode d'emploi, les enfants et les personnes sous l'effet de médicaments, d'alcool ou de drogues manipuler l'appareil, ou bien, uniquement sous votre surveillance.
- Afin de protéger la **santé et sécurité** et la fonction **adéquate d'humidification** n'utilisez que de l'eau potable propre, froide, et exempte de contaminants dans votre humidificateur. Si votre source d'eau est contaminée ou si vous êtes incertain de son innocuité, veuillez utiliser de l'eau distillée. De plus, il est conseillé de **nettoyer et d'entretenir votre humidificateur** en temps opportun, **comme indiqué dans ce manuel**.
- L'utilisation d'additifs comme les huiles essentielles/ les huiles essentielles, les parfums, l'eucalyptus, les adoucisseurs d'eau, etc., peut endommager les matériaux du réservoir et par conséquent, l'appareil entier. Tout usage de ces additifs annulera la garantie du fabricant.
- Remarque : Ni les êtres humains ni les animaux ne peuvent entendre les vibrations haute fréquence.



fr

## Avant-propos

Félicitations pour l'achat de l'humidificateur à ultrasons 7135!

Savez-vous qu'un air desséché:

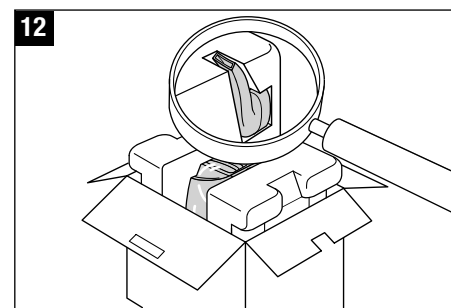
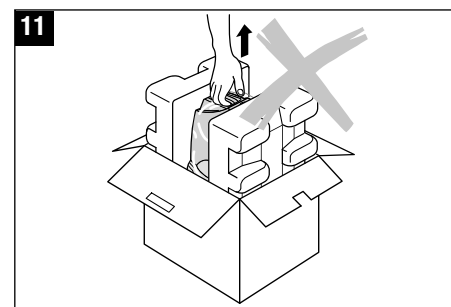
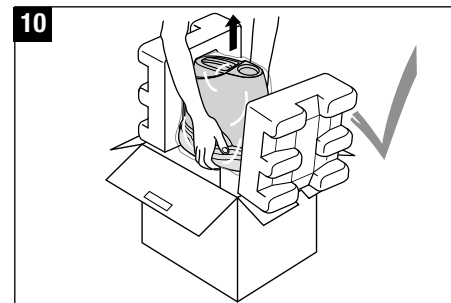
- provoque le dessèchement des muqueuses, des gerçures aux lèvres et des irritations aux yeux?
- favorise les infections et les maladies des voies respiratoires?
- mène à un état de lassitude ou de fatigue permanent et à des pertes de concentration?
- est néfaste pour les animaux domestiques et les plantes d'intérieur?
- favorise l'accumulation de poussière et accroît l'électricité statique des textiles, des tapis et des revêtements de sol synthétiques?
- endommage les meubles et certains parquets en bois?
- désaccorde certains instruments de musique?

## Renseignements généraux

Le climat ambiant est agréable quand l'humidité relative de l'air se situe entre 40 % et 60 %. Votre humidificateur contrôle automatiquement l'humidité désirée que vous avez prédéterminée. Lorsque l'air est trop sec, il démarre automatiquement. Lorsque le degré d'humidité désiré est atteint, il s'arrête automatiquement.

## Désemballage

- Retirez l'humidificateur de la boîte avec soin (10).
- Attention: Ne tirez pas l'appareil de la boîte par la poignée du réservoir – la base pourrait tomber et être endommagée (11).
- Attention: La buse de brumisation est emballée dans un sachet rouge à l'intérieur de la boîte. Assurez-vous de bien la retirer de l'emballage (12).
- Retirez le sac en plastique de l'humidificateur.
- Observez les renseignements figurant sur la plaque signalétique concernant l'alimentation principale.
- Si vous n'utilisez pas l'humidificateur pendant toute l'année, rangez-le dans l'emballage d'origine.



## Description de l'appareil

Buse de brumisation

Hydro Cell

Chambre d'évaporation

Réservoir d'eau

A250 AQUA PRO

Bouchon du réservoir d'eau

Brosse

Réservoir

Panneau de commande

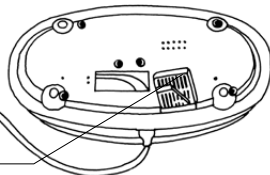
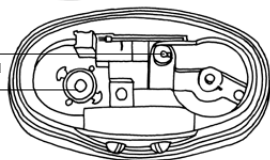
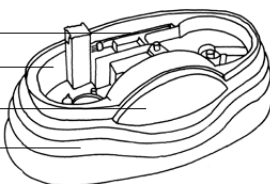
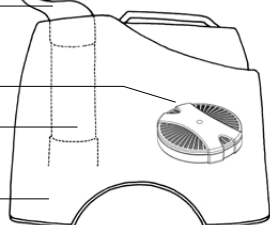
Partie inférieure

Détecteur de niveau d'eau

Membrane

Fiche d'alimentation électrique

Arrivée d'air

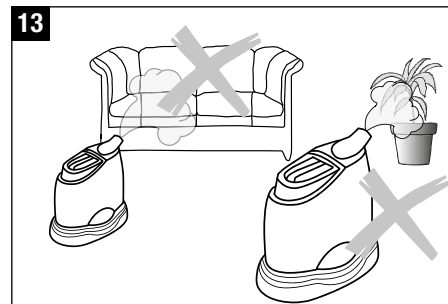


## Mise en service

Le meilleur emplacement pour votre humidificateur :

- Ne placez pas l'humidificateur près d'un radiateur ou sur un sol chauffé. L'humidité de la vapeur peut endommager la surface du plancher (6) (voir les Consignes de sécurité).
- L'appareil doit être posé en hauteur (7), par exemple sur une table, une commode, à au moins 1 m (3 pi) du sol.
- Veillez à ce que la bouche de diffusion ne soit pas orientée en direction de plantes, de meubles ou d'autres objets (13). Distance min. de 50 cm (20 inch).
- Reportez-vous au manuel joint pour mettre en marche le système A250 AQUA PRO.
- Pour remplir le réservoir de l'humidificateur, lisez les instructions dans la section « Remplissage du réservoir » (14 et 15).
- Placez le réservoir d'eau sur la base.
- Insérez la fiche dans la prise de courant et mettez l'appareil sous tension en actionnant l'interrupteur marche/arrêt (18).
- L'appareil atteint son plein régime de fonctionnement environ 10 à 15 minutes après la mise sous tension.
- Assurez-vous que le câble n'est pas coincé (9). N'utilisez pas l'humidificateur si le câble est endommagé (2).

13



fr

## Remplissage du réservoir



Débranchez toujours l'appareil avant de retirer le réservoir d'eau. Ne touchez pas à l'eau dans la base lorsque l'appareil est en marche!



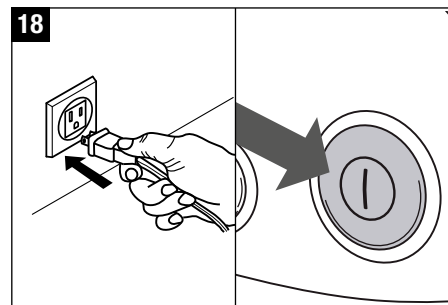
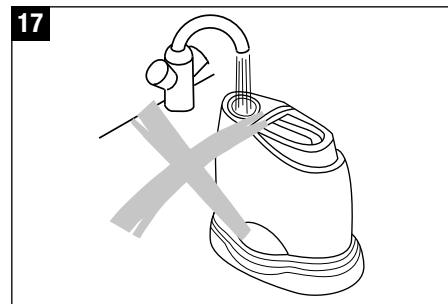
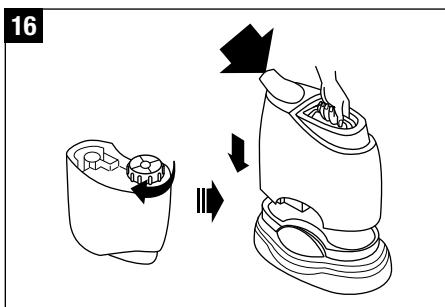
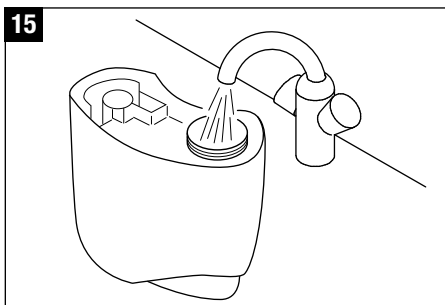
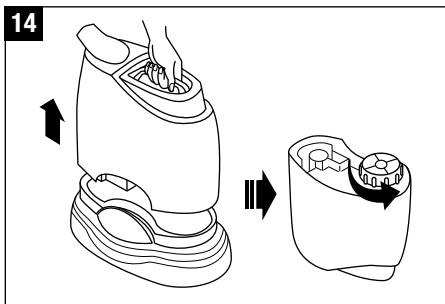
Afin de protéger la **santé et sécurité** et la fonction **adéquate d'humidification** n'utilisez que de l'eau potable propre, froide, et exempte de contaminants dans votre humidificateur. Si votre source d'eau est contaminée ou si vous êtes incertain de son innocuité, veuillez utiliser de l'eau distillée.

Ne mettez pas l'humidificateur en marche si le réservoir d'eau est vide! Lorsque l'eau atteint le niveau minimum, l'appareil arrête automatiquement la fonction de nébulisation et l'indicateur du niveau d'eau s'allume.

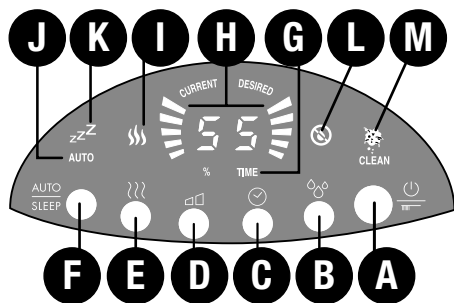
- Enlevez le réservoir d'eau de la base et dévissez le bouchon du réservoir d'eau (14).
- Assurez-vous qu'aucun objet étranger ne se trouve dans le réservoir d'eau.
- Remplissez le réservoir d'eau avec de l'eau propre et froide du robinet (15) et fermez bien le bouchon du réservoir (16). Placez le réservoir d'eau sur la base. L'eau peut maintenant s'écouler du réservoir vers la base.
- Ne versez pas d'eau dans la buse de brumisation de l'appareil (17).
- Insérez la fiche dans la prise de courant et mettez l'appareil sous tension en actionnant l'interrupteur Allumer/Éteindre (18). L'indicateur du niveau d'eau peut rester illuminé quelques secondes, pendant que la base se remplit d'eau.

## Aucune utilisation d'additifs

N'utilisez aucun additif d'eau (huiles étherées/huiles essentielles, parfums, eucalyptus, adoucisseurs d'eau, etc.)! Même une petite quantité peut causer des fissures dans le matériau du réservoir. Le matériau n'a pas été conçu pour l'usage de tels additifs. Une seule goutte suffit pour endommager le réservoir et, par conséquent, l'appareil aussi. L'utilisation de tels additifs annulera la garantie du fabricant.



## Fonctionnement 7135



### A) Touche Marche/Arrêt

En appuyant sur la touche A, vous allumez ou éteignez l'appareil. Cette touche permet également de réinitialiser l'indicateur de nettoyage (en appuyant dessus).

### B) Hygrostat (réglage de)

En appuyant sur la touche B, vous réglez l'humidité souhaitée en %. La valeur recommandée est une humidité relative entre 40 % et 60 %. La précision de mesure est de +/- 5 %. Si l'humidité dépasse le réglage souhaité, l'appareil s'éteint. Il ne s'éteint pas si l'indicateur est réglé sur le « Co » (fonctionnement continu). Pendant la sélection, la valeur de consigne s'affiche. L'affichage change automatiquement après quelques secondes sur la valeur actuelle.

### C) Minuterie

La touche C vous permet de définir la durée de fonctionnement – réglable de 1 à 9 heures. Le **symbole G** indique quelle durée est réglée (1h/2h/3h/4h/5h/6h/7h/8h/9h). L'affichage change automatiquement au bout de quelques secondes sur la valeur actuelle.

### D) Réglage de la puissance de brumisation

En appuyant plusieurs fois sur la touche D vous pouvez réguler la puissance de brume. Si les barres rouges s'affichent, vous avez sélectionné la plus haute puissance de brumisation (**symbole H**).

### E) Fonctionnement avec préchauffage (brume tiède)

La touche E sert à activer (le **symbole I** s'allume) ou désactiver le préchauffage. L'eau est ainsi préchauffée à 80 °C (176 °F) avant d'entrer dans l'espace de nébulisation. L'eau dans la base prend entre 10 à 15 minutes à se réchauffer. La brume sort alors à une température agréable de 40 °C (104 °F). Cela permet à la température de la pièce de ne pas baisser et que la propreté de l'eau s'améliore considérablement.

### F) Mode automatique et veille

En appuyant sur la touche F, il est possible d'activer le mode automatique et le mode veille. Une pression unique sur la touche permet d'activer la fonction automatique (le **symbole J** apparaît à l'écran), par laquelle l'humidité optimale de l'air est conservée en fonction de la température. La régulation se fait via la quantité émise et la valeur de consigne prescrite. Si le mode veille est activé (le **symbole K** apparaît à l'écran), l'humidité de consigne est de 60 % ; le réglage du temps se met automatiquement sur 8 heures; le préchauffage est activé. De plus, la quantité émise est régulée en fonction de la différence entre la valeur de consigne et la valeur réelle.

Ces modes ne permettent pas de modifier la minuterie. En appuyant sur d'autres touches, l'appareil quittera le mode automatique ou veille.

### G) Symbole de la minuterie

### H) Symbole de la puissance de brumisation

### I) Symbole du préchauffage

### J) Symbole du mode automatique

### K) Symbole du mode veille

### L) Indicateur du niveau d'eau

Grâce au réservoir d'eau transparent, la quantité d'eau est bien visible. De plus, l'appareil indique sur l'écran (**symbole L**) quand il faut remettre de l'eau. Le symbole L peut demeurer illuminé pendant quelques secondes au remplissage du réservoir, jusqu'à ce que la base soit pleine d'eau.

### M) Indicateur de nettoyage

Si le symbole M apparaît à l'écran avec « CLEAN », l'appareil devrait être nettoyé selon les recommandations du fabricant. Ce symbole s'allume automatiquement toutes les 2 semaines, en fonction de l'utilisation. **L'écran peut être réinitialisé en appuyant sur la touche A jusqu'à ce que la lumière disparaisse.**

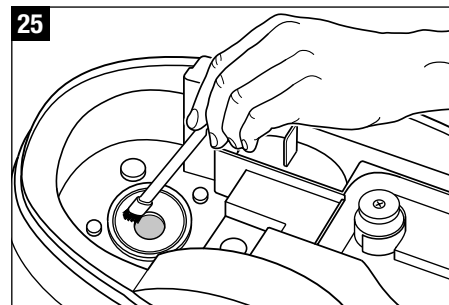
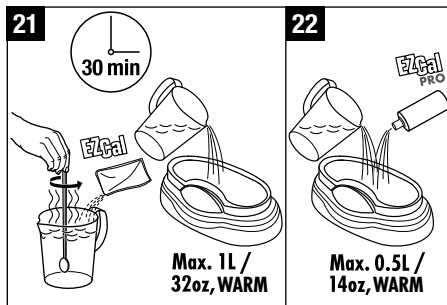
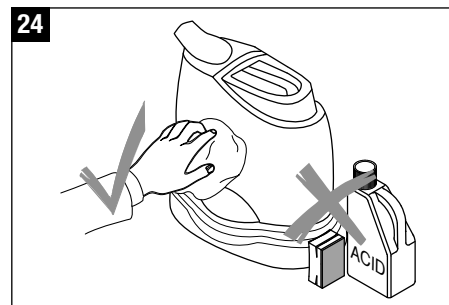
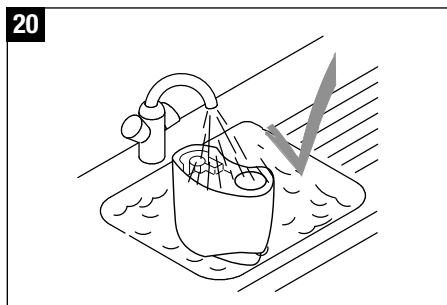
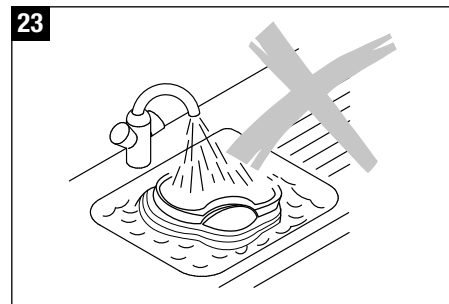
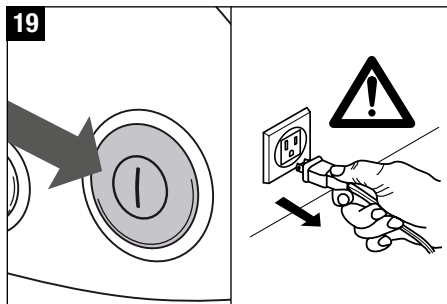
## Nettoyage/entretien



Débranchez toujours l'appareil avant de retirer le réservoir d'eau. Ne touchez pas à l'eau dans la base lorsque l'appareil est en marche.

### Attention – risque d'électrocution et dommage au du produit!

- Mettez l'appareil hors tension et débranchez la prise avant de nettoyer l'appareil (19).
- Nettoyez régulièrement le réservoir d'eau et la base. N'utilisez que de l'eau, aucun détergent (20).
- Utilisez uniquement le nettoyant et détartrant EZCal et EZCal PRO personnalisé pour l'élimination régulière des dépôts de la membrane (21 et 22). Un échantillon d'EZCal est inclus avec votre humidificateur. Les instructions d'utilisation figurent sur l'emballage. N'utilisez qu'un seul paquet pour 1 litre (32 oz) d'eau. Ne modifiez pas ce rapport. NE FAITES PAS fonctionner l'appareil lorsque vous utilisez EZCal et EZCal PRO. Ce faire pourrait endommager le produit et annule la garantie. Rincez complètement la base à l'eau potable après avoir utilisé EZCal et EZCal PRO et vérifiez qu'aucun résidu d'EZCal et EZCal PRO n'y demeure.







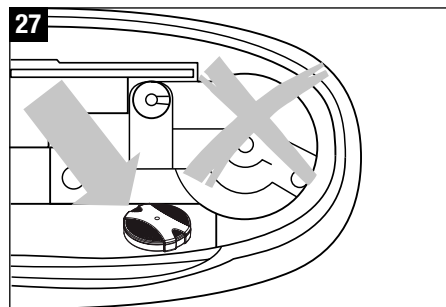
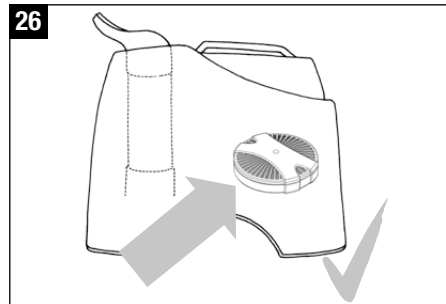
EZCal et EZCal PRO sont les seuls nettoyeurs et détartrants recommandés. N'UTILISEZ AUCUNE autre solution nettoyante : vous risqueriez d'endommager l'appareil. L'utilisation de toute autre solution autre qu'EZCal et EZCal PRO annule la garantie.

- Ne plongez jamais le boîtier dans de l'eau ou d'autres liquides (23)!
- L'indicateur de nettoyage reste présent sur l'affichage après le nettoyage. Pour le réinitialiser, maintenez la touche ON/OFF enfoncée jusqu'à ce que le témoin d'entretien arrête de clignoter.
- Nettoyez les parties intérieures avec un chiffon doux et n'utilisez en aucun cas de l'essence, des produits pour nettoyer des vitres ou des détergents (24).
- N'utilisez que la brosse pour le nettoyage hebdomadaire de la membrane. Ce nettoyage doit être réalisé une fois par semaine. N'utilisez que la partie en soie douce de la brosse (25).
- Changez l'eau du réservoir au moins une fois par semaine si l'eau s'y trouve depuis plus d'une semaine.

## Préservation de la qualité de l'eau

L'Hydro Cell assure le bon fonctionnement des humidificateurs à leur niveau le plus élevé entre les nettoyages recommandés. Bon pour environ un à deux mois, selon la qualité de l'eau, l'Hydro Cell assure le bon fonctionnement de votre humidificateur tout en procurant un rendement d'humidification fraîche. Il commence à fonctionner dès qu'il entre en contact avec l'eau, même si l'unité est éteinte. L'Hydro Cell devrait être remplacé sur une période d'un à deux mois.\* Regardez l'illustration 26/27 pour voir la position du dispositif Hydro Cell à l'intérieur du réservoir d'eau de l'unité. Mettez d'abord l'appareil hors tension. Pour toute information de commande ultérieure, contactez votre détaillant local ou consultez notre site Web [www.boneco.us](http://www.boneco.us).

\* Selon la qualité de l'eau.



## Entreposage de l'appareil

Nettoyez l'appareil de la manière décrite plus haut, séchez-le entièrement et conservez-le, de préférence dans son emballage original, dans un endroit sec et frais.

## Mentions légales

L'humidificateur est référencé cUL.

Le fabricant se réserve le droit d'apporter des modifications d'ordre technique. Les instructions sont couvertes par les lois relatives aux droits d'auteur © BONECO AG.

## Accessoires

Pour toute information de commande ultérieure, prenez contact avec votre détaillant ou visitez notre site [www.boneco.us](http://www.boneco.us).

## Service après-vente

[www.boneco.us](http://www.boneco.us)

## Spécifications techniques

Alimentation	120 V / 60 Hz
Consommation d'énergie jusqu'à	45 W / (140 W*)
Production d'humidité jusqu'à	13,25 L / 24 h*
Convient pour les pièces jusqu'à	60 m <sup>2</sup> / 650 pi <sup>2</sup>
Dimensions (LxPxH)	38 x 22 x 35 cm 15 x 8,7 x 13,8 in
Poids (à vide)	3,5 kg / 7,7 lb
Accessoires	A250 AQUA PRO Hydro Cell A200 EZCal A7417 EZCal PRO A100

\* lorsqu'utilisé avec le préchauffage à 80 °C (176 °F)

## Guide de dépannage

Problème	Cause	Que faire
L'appareil ne fonctionne pas	Le cordon d'alimentation n'est pas branché	Branchez le cordon d'alimentation
	Réservoir vide (l'indicateur du niveau d'eau s'allume)	Remplissez le réservoir d'eau et attendez 10 min.
Aucune brumisation	L'appareil doit être nettoyé	Détartrez la base d'eau à l'aide d'EZCal et EZCal PRO
	A250 AQUA PRO usagé	Remplacer l'A250 AQUA PRO
Débit de brume trop faible	Température de l'eau trop basse	Réglez le débit de brume au maximum; au bout de 15 minutes, l'appareil fonctionnera adéquatement
	Dépôts de calcaire sur la membrane	Nettoyez la membrane à l'aide d'une brosse, EZCal et EZCal PRO
Appareil à fonctionnement intermittent		Remplacer l'A250 AQUA PRO
Poussière blanche s'accumulant autour de l'appareil	A250 AQUA PRO usagé	

## Questions générales sur l'humidificateur

### Q. Pourquoi n'y a-t-il pas assez d'humidité dans ma pièce?

R. Combien de fois faites-vous fonctionner l'appareil? Si l'appareil fonctionne uniquement pendant la nuit, alors le niveau d'humidité tombera pendant la journée si de l'humidité n'est pas constamment ajoutée à l'air.

### Q. Fermez-vous ou laissez-vous votre porte ouverte lorsque l'appareil fonctionne?

R. a) En laissant la porte ouverte, l'humidité quitte la pièce et se répand dans d'autres endroits de la maison. Si vous souhaitez que l'humidité reste dans une pièce spécifique, vous devriez envisager de fermer la porte lorsque l'appareil fonctionne.

b) Le bois, le cuir, les tapis, les rideaux et autres types de tissu absorbent une certaine quantité d'humidité, ne laissant ainsi pas assez d'humidité pour l'air. Si la fenêtre est ouverte, l'humidité s'échappera alors de la pièce. Un autre facteur est souvent le positionnement de l'appareil à proximité d'un appareil chauffant. L'idée repose sur le fait que l'air soufflant dans la pièce répartira rapidement l'humidité dans toute la pièce. Malheureusement, ce concept ne fonctionne pas puisque l'air chaud sortant d'une bouche d'aération absorbera presque toute l'humidité. L'air contenu dans la pièce ne recevra ainsi aucune humidité.

### Q. Quelle quantité d'humidité ai-je besoin dans ma pièce?

R. Les niveaux d'humidité suggérés sont compris entre 40 et 60 %.

### Q. Quels sont les effets d'un surplus ou d'un manque d'humidité?

R. Un air sec peut entraîner l'assèchement de la peau, de l'électricité statique, des instruments désaccordés, augmenter le niveau de poussière (un air sec engendre

une accumulation de la poussière), une dégradation des objets en bois (assèchement et apparition éventuelle de fissures), l'inconfort, des nausées, et un assèchement des membranes nasales.

Un surplus d'humidité de l'air peut entraîner l'apparition de moisissures et le décollement du papier peint.

### Q. Pourquoi ai-je besoin d'un humidificateur alors que je peux simplement ouvrir la fenêtre?

R. Le niveau d'humidité de l'air extérieur n'est pas assez élevé pour humidifier une pièce.

### Q. Où dois-je installer mon humidificateur?

R. L'appareil doit être mobile et ne pas être installé à proximité d'un mur, d'une fenêtre, d'une porte ou d'un pont thermique afin que l'air puisse circuler autour de l'appareil.

## Foire aux questions : Humidificateur à ultrasons

### Q. Le réservoir d'eau n'a pas de démarcation, jusqu'où dois-je le remplir d'eau?

R. Le réservoir n'a pas de démarcation. On peut le remplir d'eau jusqu'en haut.

### Q. Est-il possible d'utiliser de l'eau distillée avec cet appareil?

R. Oui, il est possible d'utiliser de l'eau distillée avec cet appareil.

### Q. Les conseils d'utilisation m'indiquent de ne pas installer l'appareil directement au sol. Pourquoi dois-je surélever l'appareil?

R. Cet appareil a été conçu pour propulser l'humidité dans l'air. C'est pourquoi les parquets ou les sols recouverts de tapis à proximité de l'appareil peuvent devenir humides. Si l'appareil est installé à soixante centimètres au-dessus du sol, la brume aura la possibilité de s'évaporer avant de toucher le sol.

### Q. L'eau ne va pas dans le réservoir.

R. Pour remplir le réservoir, il doit être retourné. La cartouche se place sur le bouchon du réservoir d'eau. Ne versez pas d'eau dans la buse de brumisation.

### Q. Une poussière blanche sort de l'appareil

R. Les particules de poussière blanches sont des minéraux qui sont coupés en minuscules parties par le processus ultrasonique.

#### Comment résoudre le problème :

- N'utilisez pas d'eau provenant d'un adoucisseur d'eau préinstallé, car l'unité risque alors de produire du sodium au lieu du calcium. Utilisez plutôt de l'eau distillée.
- Dans les zones où l'eau est très dure, utilisez uniquement de l'eau distillée.
- Utilisez de l'eau à osmose inverse au lieu de l'eau distillée.

### Q. L'indicateur de nettoyage apparaît à l'écran (modèle numérique)

R. Éteignez l'appareil et débranchez-le. Videz l'eau de la base. Rincez la base avec de l'eau chaude et propre. N'immergez pas la base! Vérifiez si la base présente des poussières ou des dépôts de minéraux. Si de l'eau douce est utilisée, un détartrage de l'appareil est recommandé toutes les 4 semaines avec EZCal. En cas d'utilisation d'eau dure, l'appareil doit être détartré toutes les 2 semaines. N'oubliez pas de réinitialiser le témoin de nettoyage après la réinitialisation de l'appareil.

### Q. Réinitialisation de l'indicateur de nettoyage (modèle numérique)

R. Le témoin de nettoyage ne se réinitialise pas automatiquement. Maintenez la touche d'alimentation enfoncée (touche A dans le manuel d'instruction) jusqu'à ce que le témoin arrête de clignoter. Il s'allume automatiquement 14 jours après le branchement de l'appareil.

#### Q. L'hygromètre de l'appareil lit un autre niveau d'humidité que l'hygromètre externe.

R. Tous les hygromètres ne sont pas calibrés de la même manière et la plupart le sont à +/- 5 %. De plus, le niveau d'humidité n'est pas le même dans toute la pièce. La circulation d'air est différente à chaque coin de la pièce. L'appareil ne devrait pas être placé près d'une bouche d'aération ou d'un radiateur puisque la chaleur absorbera toute l'humidité.

#### Q. Le niveau d'humidité ne change pas ou n'atteint pas le niveau d'humidité souhaitée.

R. Si le réservoir d'eau doit être rempli plus d'une fois par jour, cela signifie que l'appareil fonctionne bien et que ce sont les conditions climatiques de la pièce qui ont une incidence sur l'humidité.

##### Raisons d'un niveau d'humidité bas :

- La circulation d'air est très élevée (l'air est entièrement renouvelé plusieurs fois par jour – l'humidificateur doit recommencer son travail depuis le début)
- Isolation de la maison (voir circulation d'air)
- Espace ouvert avec hauts plafonds (non seulement la superficie de la pièce compte, mais aussi sa hauteur) – des bâtiments élevés nécessitent plus d'humidification
- Fenêtres ouvertes – effet similaire à la circulation d'air (s'il fait très froid dehors, n'ouvrez pas la fenêtre plus de 2 fois par jour pendant 3 minutes)
- Grande différence entre la température extérieure et la température intérieure – plus l'air est froid, moins il est capable de retenir l'humidité et plus l'air est chaud, plus le pourcentage d'humidité relative est moindre (= quantité de vapeur d'eau dans l'air par rapport à la quantité que l'air peut absorber s'il est totalement saturé)
- Position de l'appareil – s'il est placé près d'être porte, fenêtre ou bouche d'aération. Cela augmente la circulation d'air

#### Q. Le réservoir fuit

R. Vérifiez s'il n'y a pas de légères fissures. Les appareils qui ont été échappés ou les réservoirs d'eau fissurés ne sont pas couverts par la garantie.

#### Q. Mettre le visage dans la brume

R. Il n'est pas recommandé de mettre son visage dans la brume. C'est un produit électrique et on ne devrait pas jouer avec.

#### Q. Pas de brume / l'appareil ne fonctionne pas / l'indicateur de vide continue de clignoter

R. Remplissez le réservoir d'eau. Vérifiez que l'eau circule bien dans le système A250 AQUA PRO (fixé au couvercle du réservoir d'eau). Si le réservoir d'eau est plein, mais qu'il n'y a qu'une petite quantité d'eau dans la base, cela signifie que l'eau circule bien dans le système A250 AQUA PRO.

- Attendez 15 minutes pour permettre à la brume de sortir de l'appareil.
- Si l'appareil ne fonctionne pas et que le témoin vide ne clignote pas, il se peut que vous ayez réglé l'humidité souhaitée trop basse et que le niveau d'humidité actuel de la pièce soit plus élevé. C'est pourquoi l'appareil s'éteint automatiquement.
- Si l'indicateur vide continue de clignoter et que le réservoir est plein, l'eau ne circule pas dans la cartouche. Changez le système A250 AQUA PRO au bout de 2 à 6 mois. Dans les zones où l'eau est dure, changez la cartouche tous les 1 à 2 mois. Cependant, le système A250 AQUA PRO doit être changé au plus tard au bout de 6 mois. Dans le cas contraire, l'unité n'atteindra plus ses performances optimales.

#### Q. Le bouchon du réservoir d'eau est trop difficile à desserrer

R. Cela peut être dû à la pression d'air dans le réservoir d'eau. Desserrez le ressort en bas du bouchon du réservoir d'eau pour libérer l'air du réservoir d'eau. Continuez jusqu'à ce que vous soyez capable de desserrer le bouchon du réservoir d'eau.

### Accessoires

#### Q. Dois-je conserver des pièces avant de remplacer le système A250 AQUA PRO?

R. Oui, vous devez toujours conserver le couvercle du réservoir d'eau (il s'agit de la pièce qui permet de fixer le système A250 AQUA PRO au réservoir d'eau).

#### Q. Qu'est-ce qu'un Hydro Cell et quelle est sa longévité?

R. L'Hydro Cell assure le bon fonctionnement des humidificateurs à leur niveau le plus élevé entre les nettoyages recommandés.\* Bon pour environ un à deux mois, selon la qualité de l'eau, l'Hydro Cell assure le bon fonctionnement de votre humidificateur tout en procurant un rendement d'humidification fraîche. Il doit être remplacé sur une période d'un à deux mois\*.

\* Selon la qualité de l'eau.

#### Q. Positionnement de l'Hydro Cell

R. Se reporter à l'illustration 26/27 pour les instructions.

#### Q. Qu'est-ce que EZCal et EZCal PRO?

R. Un échantillon d'EZCal est inclus avec votre humidificateur. EZCal et EZCal PRO sont utilisés pour le nettoyage et le détartrage de tous les humidificateurs et éliminent les dépôts de minéraux. EZCal et EZCal PRO sont les seuls nettoyants et détartrants recommandés. N'UTILISEZ AUCUNE autre solution nettoyante : vous risqueriez d'endommager l'appareil. L'utilisation de toute autre solution autre qu'EZCal et EZCal PRO annule la garantie. Les instructions d'utilisation sont sur le paquet. Utilisez 1 seul paquet pour 1 l (32 oz) d'eau. Ne changez pas les proportions. Il peut également être utilisé pour d'autres marques d'humidificateur. Rincez complètement la base à l'eau potable après avoir utilisé EZCal et EZCal PRO et vérifiez qu'aucun résidu d'EZCal et EZCal PRO n'y demeure. EZCal et EZCal PRO sont offerts par certains détaillants choisis et en ligne sur [www.boneco.us](http://www.boneco.us).

**Reportez-vous au manuel joint pour mettre en marche le système A250 AQUA PRO.**

---

## Instrucciones para el uso

---

es

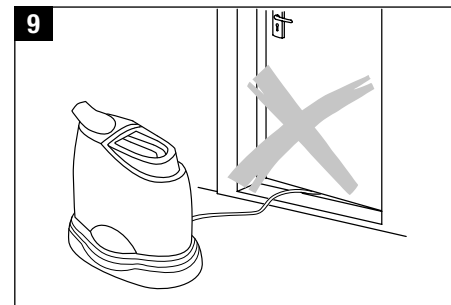
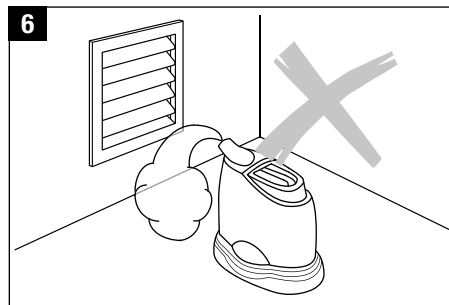
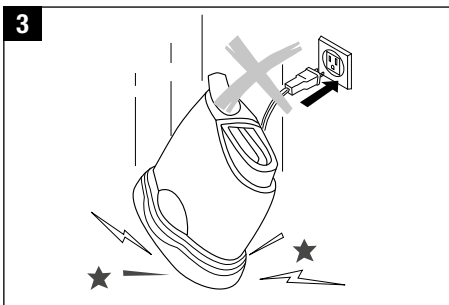
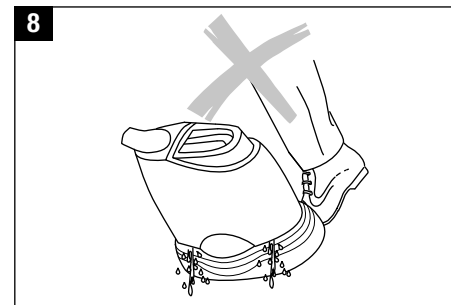
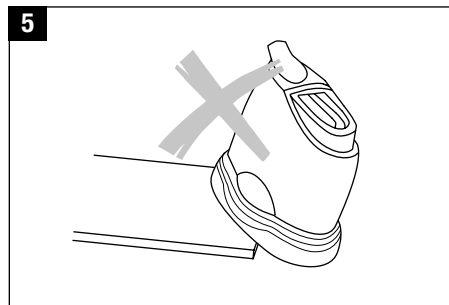
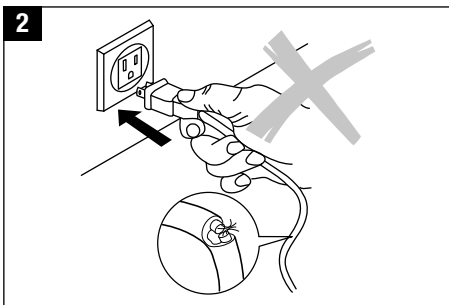
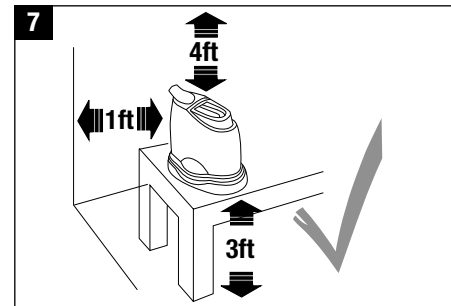
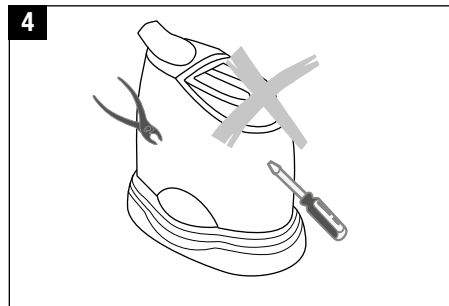
# ¡POR FAVOR LEA Y GUARDE TODAS ESTAS INSTRUCCIONES!

## Instrucciones importantes de seguridad

- Antes de usar el artefacto, lea atentamente las instrucciones y guárdelas bien para posteriores consultas.
- **ADVERTENCIA** – Use el humidificador en interiores y teniendo en cuenta los datos técnicos. Un empleo no conforme con las especificaciones puede poner en peligro la salud y la vida.
- Conecte el humidificador sólo a corriente alterna (CA) según los datos de la etiqueta de especificaciones.
- Los niños no reconocen los peligros de los aparatos eléctricos por lo que hay que vigilarlos siempre que estén cerca del humidificador (figura 1).
- Nunca use el artefacto si ha sufrido algún daño en el aparato o en el cable (2), luego de un desperfecto o luego de que haya sufrido una caída (3) o cualquier otro daño.
- Sólo debe ser reparado por personal calificado (4); una reparación inapropiada puede ser peligrosa para el usuario.
- Sitúe el humidificador sobre una superficie seca y plana (5).
- **No coloque el artefacto sobre el piso** o cerca de una salida de aire caliente (6).
- Si la vaporización toca el piso antes de evaporarse puede dañar la superficie del piso. No aceptamos ninguna responsabilidad por daños debidos a la ubicación inadecuada de la unidad.
- El humidificador debe instalarse en una posición elevada (7) como, por ejemplo, sobre una mesa, una cómoda, etc.
- Coloque el aparato en un lugar en el cual no pueda ser volcado fácilmente (8).
- Desenchufe siempre el aparato cuando no lo usa.
- Haga funcionar el humidificador únicamente luego de armarlo por completo.

- SIEMPRE desconecte la unidad del tomacorriente antes de quitar/llenar/vaciar el tanque de agua, antes de limpiarlo, antes de montar o desmontar alguna de sus partes, cuando lo mueva o traslade de lugar.
- No toque el agua de la base cuando esté en funcionamiento ya que contiene vibraciones de alta frecuencia.
- No coloque el cable de alimentación por debajo de alfombras ni lo cubra con tapetes. Coloque el cable de tal forma que nadie se pueda tropezar con él.
- Nunca desconecte el equipo del tomacorriente tirando del cable o con las manos húmedas.
- No use el aparato en presencia de gases o vapores combustibles.
- No exponga el aparato a la lluvia ni lo use cerca del agua, en el baño, en lavaderos ni en lugares con vapor.
- El aparato siempre se tiene que usar en posición vertical.
- No permita que objetos extraños penetren en las aberturas de ventilación o de salida de aire. Esto podría provocar una descarga eléctrica o dañar el aparato. No bloquee las salidas o entradas de aire.
- No introduzca agua en la salida de vapor del aparato.
- Este aparato tiene un enchufe polarizado (una de las patas es más ancha que la otra). Para reducir el riesgo de una descarga eléctrica, el enchufe entra en un tomacorriente polarizado de una sola forma. Si el enchufe no se adapta perfectamente al tomacorriente, dé vuelta el enchufe. Si esto no basta, consulte con un electricista calificado. NO trate de modificar esta medida de seguridad.
- Si el enchufe y el tomacorriente no están perfectamente adaptados uno al otro, el enchufe puede calentarse en exceso y deformarse. Llame a un electricista para cambiar los tomacorrientes flojos o gastados.
- No coloque o apoye ningún objeto pesado encima del artefacto.

- No sumerja nunca el cuerpo del humidificador en agua u otro líquido.
- Desconecte la fuente de alimentación antes de realizar cualquier mantenimiento.
- Las personas que no estén familiarizadas con las instrucciones para el uso, así como los niños o personas bajo la influencia de medicamentos, alcohol o drogas no deben manejar el aparato o hacerlo sólo bajo vigilancia.
- Para proteger la **seguridad de la salud** y el **funcionamiento correcto del humidificador**, use únicamente agua limpia, sin contaminantes, fría y fresca de la llave en su humidificador. Si su fuente de agua está contaminada o si no está seguro de su calidad, use agua destilada. Además, le recomendamos limpiar y **hacerle mantenimiento a su humidificador** cuando sea necesario, **tal como se indica en este manual**.
- El uso de aditivos en el agua, tales como aceites o esencias, fragancias, eucalipto, acondicionadores de agua, etc. pueden dañar el material del tanque y como consecuencia, la unidad entera. El uso de cualquiera de esos aditivos anulará la garantía del fabricante.
- Nota: Las vibraciones de alta frecuencia no son audibles para las personas ni para los animales.



es

## Introducción

¡Felicitaciones por haberse decidido por el humidificador ultrasónico 7135!

¿Sabía usted que el aire demasiado seco de una habitación

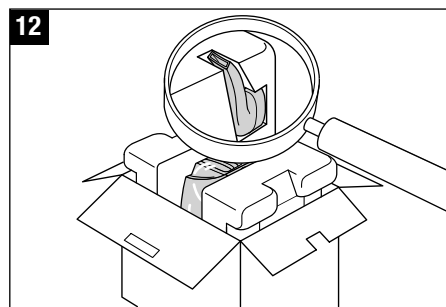
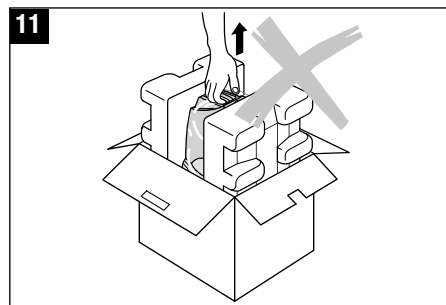
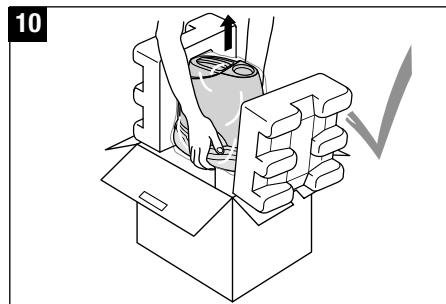
- reseca las membranas del sistema respiratorio, lastima los labios y produce escozor de ojos?
- promueve las infecciones y enfermedades de las vías respiratorias?
- ocasiona debilidad, cansancio y dificultades de concentración?
- molesta a los animales domésticos y plantas de interior?
- promueve la formación de polvo y aumenta la electricidad estática en las telas hechas de fibra sintética, alfombras y pisos de plástico?
- deteriora los muebles de madera y los pisos de madera?
- desafina instrumentos musicales?

## Información general

Se obtiene una atmósfera confortable en interiores con un nivel entre el 40% y el 60% de humedad relativa. Su humidificador controla el nivel de humedad de acuerdo con el ajuste deseado de manera totalmente automática; si el ambiente está seco, su humidificador se pone en marcha, y se apaga cuando se supera el nivel deseado.

## Desembalaje

- Saque cuidadosamente el humidificador de la caja. Coloque sus manos debajo del producto para sacarlo de la caja (10).
- Atención: No saque nunca la unidad de la caja tirando de la manija del tanque. La base podría caer y resultar dañada (11).
- Atención: El tubo de salida de vapor viene envuelto en una bolsa roja dentro de la caja. Asegúrese de sacar el tubo de salida de vapor del embalaje (12).
- Saque el humidificador de la bolsa de plástico.
- Observe la información en la etiqueta con respecto al voltaje de alimentación.
- Si no utiliza el humidificador durante todo el año, guárdelo en el embalaje original.





## Descripción del artefacto

Boquilla de giratoria

Hydro Cell

Cámara de evaporización

Tanque para el agua

A250 AQUA PRO

Tapa del tanque de agua

Cepillo

Base

Panel de control

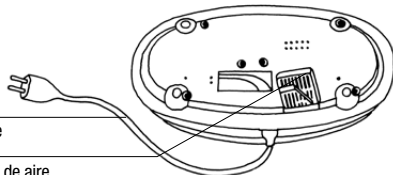
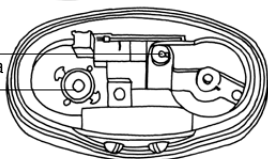
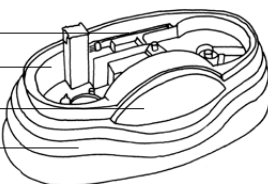
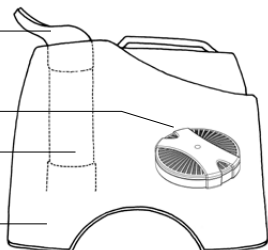
Cuerpo principal

Indicador del nivel de agua

Membrana

Enchufe

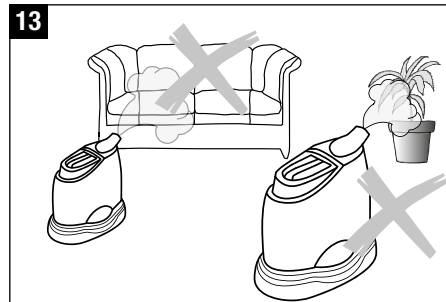
Entrada de aire



## Puesta en marcha

Encontrando el lugar ideal para su unidad:

- No coloque el humidificador cerca de un elemento de calefacción (radiador, calefactor) o sobre suelo radiante si lo tiene. La humedad del vapor puede dañar la superficie del piso (6) (lea las Instrucciones de Seguridad).
- El humidificador debe instalarse en una posición elevada (7) como, por ejemplo, sobre una mesa, una cómoda, etc. Por lo menos a 3 pies (1 m) del piso.
- La boquilla no debe apuntar directamente a plantas, muebles u otros objetos cercanos (13). Mantenga una distancia de por lo menos 20 pulgadas (50 cm).
- Para poner en marcha el A250 AQUA PRO, consulte el manual adjunto.
- Lea las instrucciones en “Llenado del Tanque” para agregar agua al humidificador (14 – 15).
- Coloque el tanque de agua en la base.
- Enchufe el cable al tomacorriente y ponga en funcionamiento el humidificador (18).
- El aparato alcanza su máximo nivel de salida después de 10 o 15 minutos de haberlo encendido.
- Verifique que el cable no esté pellizcado en ningún lado (9). No use el humidificador si el cable está dañado (2).



ES

## Llenado del Tanque



Siempre desenchufe la unidad antes de quitarle el tanque de agua. ¡No toque el agua de la base mientras esté funcionando!



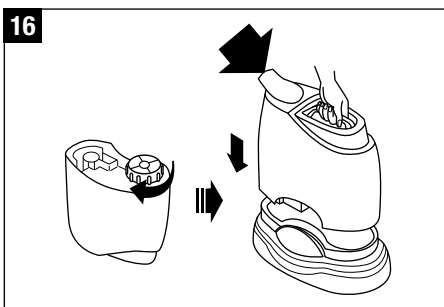
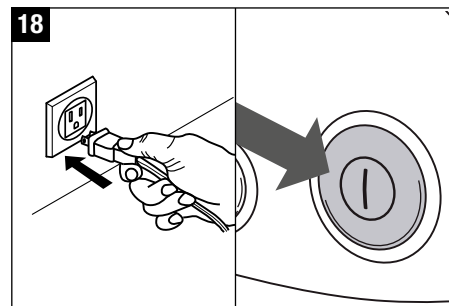
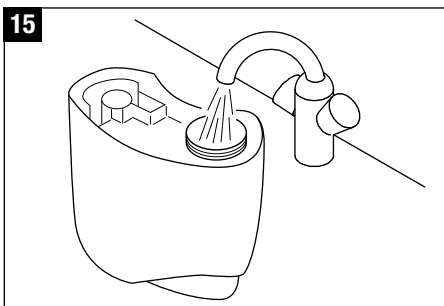
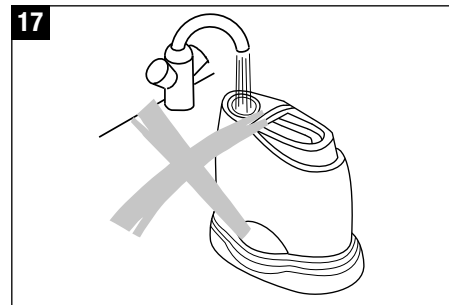
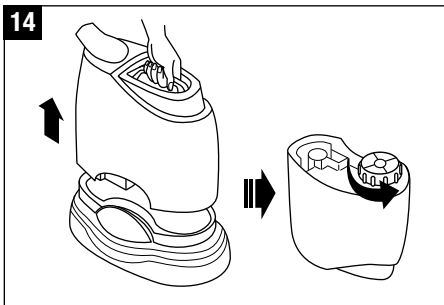
Para proteger la **seguridad de la salud** y el funcionamiento **correcto del humidificador**, use únicamente agua limpia, sin contaminantes, fría y fresca de la llave en su humidificador. Si su fuente de agua está contaminada o si no está seguro de su calidad, use agua destilada.

¡No encienda el humidificador con el tanque de agua vacío! Cuando el agua llegue el nivel mínimo, el humidificador se apaga automáticamente. Se enciende la luz roja indicando que el tanque está vacío.

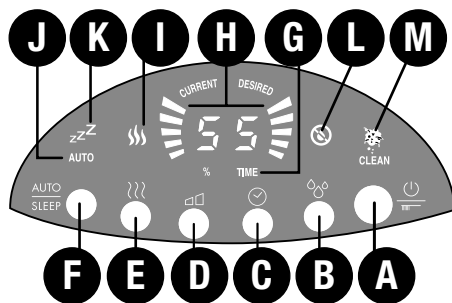
- Saque el tanque de agua de la base y desenrózquele la tapa (14). Cuidado: ¡La boquilla de niebla está suelta!
- Asegúrese de que en el tanque de agua no se encuentren objetos extraños.
- Llene el tanque de agua únicamente con agua fría del grifo (15) y cierre bien la tapa del tanque. Coloque el tanque de agua en la base (16). El agua fluye entonces del recipiente a la base.
- No vierta agua en la boquilla de vapor del aparato (17).
- Enchufe el cable en el tomacorriente y encienda la unidad usando el botón de encendido (18). La luz roja del nivel de agua puede permanecer encendida durante algunos segundos hasta que la base se llene con agua.

## No use aditivos

¡No deben usarse aditivos en el agua (aceites, esencias, fragancias, eucaliptos, acondicionadores de agua, etc.)! Incluso pequeñas cantidades pueden dañar el material del tanque de agua. No está diseñado para el uso de dichos aditivos. Una gota es suficiente como para dañar el tanque, y en consecuencia toda la unidad. El uso de cualquiera de esos aditivos anulará la garantía del fabricante.



## Operación del 7135



### A) Botón de encendido/apagado

Pulse el botón A para encender o apagar el aparato. Este botón también se usa para reiniciar la luz indicadora de limpieza (manteniéndolo presionado).

### B) Higrostat (ajuste de humedad)

Al presionar el botón B, se ajusta la humedad deseada en %. Se recomienda una humedad relativa comprendida entre el 40 y el 60 %. La precisión de medición es de  $\pm 5\%$ . Si la humedad sobrepasa el ajuste deseado, la unidad se apaga. No se apagará si se coloca el indicador en la posición "Co" (funcionamiento continuo). Durante la selección, la pantalla muestra el valor seleccionado. Pasados unos segundos, el indicador cambia automáticamente al valor actual.

### C) Temporizador

El botón C permite seleccionar la duración de funcionamiento; ajustable entre 1 y 9 horas o CO (funcionamiento continuo). El símbolo G indica el periodo de funcionamiento seleccionado (1h/2h/3h/4h/5h/6h/7h/8h/9h/CO). Pasados unos segundos, el indicador cambia automáticamente al valor actual.

### D) Salida de vapor (ajuste de la salida de vapor)

Puede ajustar la salida de vapor presionando repetidamente el botón D. Si aparecen las barras rojas, esto indica que ha elegido la máxima potencia de evaporación (símbolo H).

### E) Funcionamiento con precalentamiento (vapor caliente)

El botón E sirve para activar o desactivar el precalentamiento (el símbolo I se enciende). De esta manera el agua se precalienta a 176 °F (80 °C) antes de entrar en el área del nebulizador. El agua de la base tarda aproximadamente 10 - 15 minutos en precalentarse. El humidificador se descarga ahora a una agradable temperatura de 104 °F (40 °C). Esto tiene la ventaja de que la temperatura ambiente no disminuye y, además, mejora considerablemente el mantenimiento de la calidad del agua.

### F) Modos automático y nocturno

Presione el botón F para activar el modo automático y el modo nocturno (sleep). Si presiona una vez el botón, se activa el modo de funcionamiento automático (el símbolo J aparece en la pantalla), que mantiene la humedad óptima en función de la temperatura. La regulación se realiza a través de la cantidad de descarga y el valor nominal predeterminado. Si se activa el modo nocturno o sleep (el símbolo K aparece en la pantalla), el ajuste de humedad es del 60 %; el ajuste del tiempo pasa automáticamente a 8 horas y la calefacción se activa. Además, la cantidad de descarga se regula en función de la diferencia entre valor ajustado y el real.

El temporizador no se puede cambiar en ninguno de estos modos. Si se presionan otros botones, la unidad no estará más en los modos automático o nocturno.

### G) Indicador de temporizador

### H) Indicador de salida de vapor

### I) Indicador de precalentamiento

### J) Indicador de modo automático

### K) Indicador de modo nocturno

### L) Indicador del falta de agua

El tanque del agua transparente permite ver con claridad el nivel de agua. Además, el aparato le indica cuando el tanque de agua está vacío encendiendo el indicador correspondiente (símbolo L). Lea la sección "Llenado del Tanque" para mayor información. El símbolo L también puede permanecer encendido durante algunos segundos al colocar un tanque recién lleno, hasta que la base se llene de agua.

### M) Indicador de limpieza

Cuando en la pantalla aparezca el símbolo M con "CLEAN", debería proceder a limpiar el aparato (así lo recomienda el fabricante). Este símbolo se enciende automáticamente, según el uso, cada 2 semanas. **Se puede reiniciar la pantalla manteniendo presionado el botón A hasta que se apague la luz.**

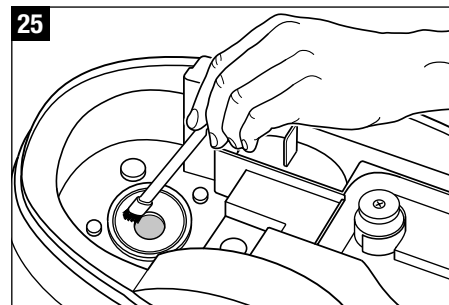
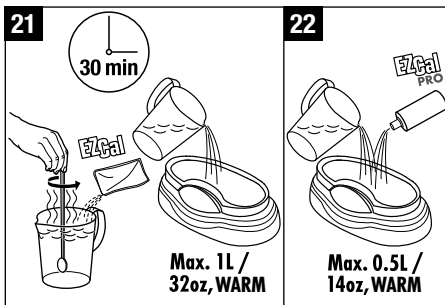
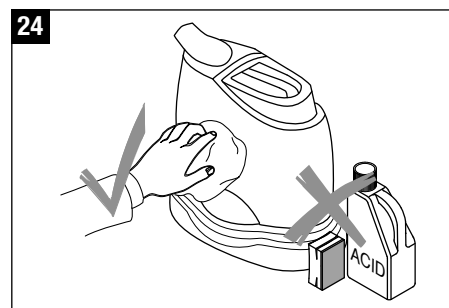
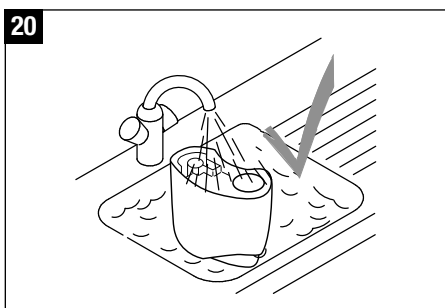
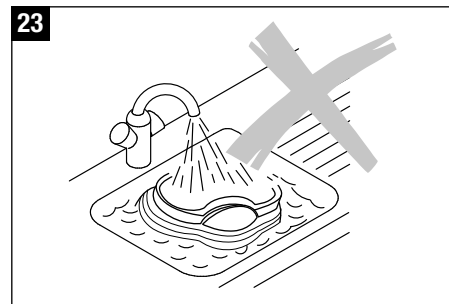
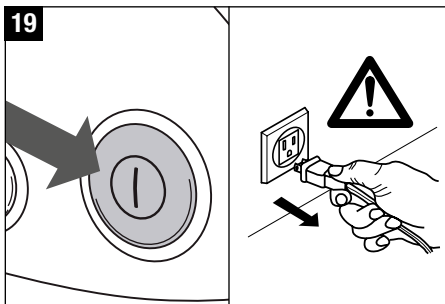
## Limpieza/mantenimiento



Siempre desenchufe la unidad antes de quitarle el tanque de agua. ¡No toque el agua de la base mientras esté funcionando!

### Atención – ¡riesgo de electrocución y daños del aparato!

- Apague el equipo y desenchúfelo antes de limpiarlo (19).
- Limpie regularmente el tanque de agua y la base. Use únicamente agua, no use detergentes (20).
- Use únicamente el agente limpiador y descalcificador EZCal y EZCal PRO para quitar los depósitos de la membrana regularmente (21 y 22). La caja de su humidificador viene con una muestra de EZCal y EZCal PRO incluida. Las instrucciones de uso están en el paquete. Use solo 1 paquete por cada 32 onzas de agua. No cambie esta proporción. No haga funcionar la unidad con EZCal y EZCal PRO. Esto podría dañar la unidad y anular la garantía. Enjuague completamente la base con agua potable después de usar EZCal y EZCal PRO y asegúrese de que no quede nada de EZCal y EZCal PRO en la base.





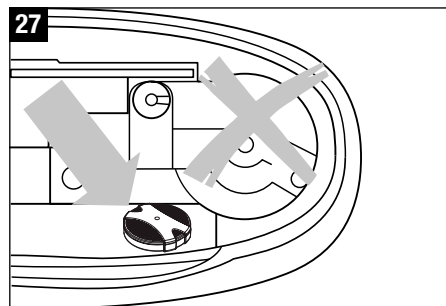
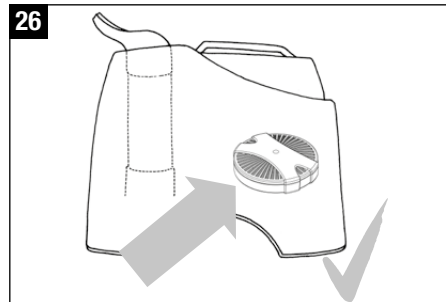
EZCal y EZCal PRO de es el único producto limpiador y descalcificador recomendado. No use ningún otro producto limpiador ya que podría dañar la unidad. El uso de cualquier solución de limpieza que no sea EZCal y EZCal PRO anulará la garantía.

- ¡No sumerja nunca el cuerpo del humidificador en agua (23)!
- El aviso de limpieza sigue apareciendo en la pantalla después de la limpieza. Para apagarlo, mantenga presionado el botón de encendido hasta que la luz de limpieza deje de parpadear.
- Limpie la parte interior del humidificador con un trapo suave, y no utilice nunca solventes o agentes de limpieza agresivos para limpiar la unidad (24).
- Para la limpieza de la membrana utilice sólo el cepillo adjunto. Este procedimiento debería realizarse una vez por semana. Sólo utilice la parte de cerdas suaves del cepillo (25).
- Cambie el agua del tanque como mínimo una vez por semana ya que el agua no debería permanecer estancada por más de ese período.

## Mantenimiento de la calidad del agua

El Hydro Cell mantiene los humidificadores funcionando a su máximo nivel entre las limpiezas recomendadas. El Hydro Cell, que dura aproximadamente uno o dos meses, dependiendo de la calidad del agua, asegura que el humidificador siga funcionando y manteniendo un rendimiento óptimo. Comienza a funcionar ni bien entra en contacto con el agua, aún cuando la unidad está apagada. Debe cambiar el Hydro Cell cada uno o dos meses\*. Mire la figura 26/27 para ubicar el Hydro Cell en la base de la unidad. Primero apague la unidad. Llame a su distribuidor local o visite nuestro sitio Web [www.boneco.us](http://www.boneco.us) para comprar repuestos.

\*Depende de la calidad del agua.



## Guardando el artefacto por mucho tiempo

Limpie el humidificador como se ha descrito y deje que se seque totalmente. Guarde preferentemente el humidificador dentro del embalaje original en un lugar seco y no demasiado caliente.

## Referencias legales

El humidificador cuenta con la certificación cUL.

Reservado el derecho de efectuar modificaciones técnicas.

Las instrucciones para el uso están protegidas por las leyes de copyright © BONECO AG.

## Accesorios

Llame a su agente de ventas local o consulte nuestra página web [www.boneco.us](http://www.boneco.us) para comprar repuestos.

## Servicio de atención al cliente

[www.boneco.us](http://www.boneco.us)

## Datos técnicos

Tensión de la red	120 V / 60 Hz
Consumo de energía	45 W / (140 W*)
Capacidad de humidificación	3.5 gallons /24 h*
Adecuado para habitaciones de hasta	650 sq ft / 60 m²
Dimensiones (LxPxA)	15 x 8.7 x 13.8 in 38 x 22 x 35 cm
Peso (vacío)	7.7 lbs / 3.5 kg
Accesorios	A250 AQUA PRO Hydro Cell A200 EZCal A7417 EZCal PRO A100

\* En caso de funcionamiento con precalentamiento a 176 °F (80 °C)

## Solución de problemas

Problema	Posible causa	Qué hacer
El humidificador no funciona	No está enchufado al tomacorriente	Enchufe el cable al tomacorriente
	El tanque no tiene agua (Indicador de vacío encendido)	Llene el tanque con agua y espere 10 minutos
No sale vapor	Hay que limpiar la unidad	Limpie la base con EZCal y EZCal PRO
	A250 AQUA PRO gastado	Sustituir A250 AQUA PRO
Muy poca salida de vapor	Temperatura del agua demasiado baja	Seleccione el nivel máximo de producción de vapor, después de 15 minutos el humidificador volverá a funcionar
	Existe una capa de cal en la membrana	Limpie la membrana con un cepillo y EZCal y EZCal PRO
La unidad funciona intermitentemente		Sustituir A250 AQUA PRO
Polvo blanco alrededor del aparato	A250 AQUA PRO gastado	

## Preguntas generales acerca del humidificador

P. **¿Por qué no hay suficiente humedad en la habitación?**

R. ¿Con qué frecuencia pone en funcionamiento la unidad? Si la unidad solo funciona por la noche, el nivel de humedad durante el día descenderá si no se le añade más humedad constantemente al aire.

P. **¿Dejo la puerta abierta o cerrada cuando la unidad está funcionando?**

A. Si deja la puerta abierta, la humedad saldrá de la habitación y pasará a otras zonas de la casa. Si quiere que la humedad se mantenga en una habitación específica deberá tener en cuenta que debe cerrar la puerta mientras la unidad esté funcionando.

B. La lana, piel, alfombras, cortinas y otros tipos de tejidos absorben mucha humedad, no dejando así suficiente humedad en el aire. Si ha dejado la ventana abierta, la humedad se escapará de la habitación. Otro factor muy frecuente es que la unidad se coloque cerca de un dispositivo que genere calor. La idea es que el aire que calienta la habitación distribuirá humedad rápidamente por todo el espacio de ésta. Lamentablemente, este concepto no funciona debido a que el aire caliente procedente de un calefactor absorberá la mayor parte de la humedad y el aire de la habitación no recibirá nada.

P. **¿Cuánta humedad se necesita en la habitación?**

R. Los niveles de humedad recomendados son entre el 40 y el 60 por ciento.

P. **¿Cuáles son los efectos de tener muy poca o demasiada humedad?**

R. Un aire seco reseca la piel, crea electricidad estática, desafina los instrumentos musicales, aumenta los niveles de polvo (el aire seco hace que se levante polvo), daña los objetos de madera (los reseca y a veces los

agrieta), produce una sensación incómoda, enfermedades y seca las membranas nasales.

Un exceso de humidificación del aire puede producir moho y que se levante el papel de las paredes.

P. **¿Por qué se necesita un humidificador cuando sencillamente se puede abrir la ventana?**

R. El nivel de humedad del aire exterior no es lo suficientemente elevado para humidificar las habitaciones.

P. **¿Dónde se debe colocar el humidificador?**

R. La unidad debe estar apartada y no demasiado cerca de paredes, ventanas, puertas o puentes térmicos para que el aire pueda circular alrededor de la unidad.

## Preguntas frecuentes acerca de los humidificadores ultrasónicos

P. **No hay una línea de llenado en el tanque de agua, ¿cuánto se debe llenar?**

R. No hay, efectivamente, línea de nivel de llenado en el tanque de agua y puede llenarlo completamente hasta arriba.

P. **¿Se puede usar agua destilada en la unidad?**

R. Para obtener los mejores resultados con su humidificador ultrasónico.

P. **Las indicaciones explican que no se debe colocar la unidad directamente sobre el suelo, ¿por qué hay que elevarla?**

R. El objetivo de esta unidad es forzar humedad en el aire. Debido a ello, los pisos de alfombra o de madera que rodean la unidad pueden mojarse. Si la unidad se coloca al menos a 5 centímetros del suelo, el vapor podrá evaporarse antes de llegar al mismo.

P. **El agua no entra en el tanque.**

R. Para poder llenarlo, el tanque debe estar boca abajo. El

cartucho se encuentra en la tapa del tanque. No eche agua en el tubo que sirve de salida para el vapor.

P. **La unidad desprende polvo blanco.**

R. El polvo blanco son minerales desintegrados en minúsculas partículas por el proceso ultrasónico.

**Cómo resolver el problema:**

- No utilice agua de un descalcificador integrado o la unidad desprenderá sodio en lugar de calcio. Es preferible que utilice agua destilada.
- En zonas de aguas muy duras utilice solo agua destilada.
- Utilice agua depurada por ósmosis inversa en lugar de agua destilada.

P. **La luz de limpieza está encendida (modelo digital)**

R. Apague y desenchufe el aparato. Vacíe de agua la base de la unidad. enjuague la base con agua caliente (y limpia). ¡No sumerja la base! Inspeccione visualmente la base y elimine los restos minerales o la suciedad que detecte. Si utiliza agua blanda, es aconsejable descalcificar la unidad cada 4 semanas con EZCal. Si utiliza agua dura descalcifique la unidad cada 2 semanas. No olvide reiniciar la luz indicadora de limpieza después de limpiar la unidad.

P. **Reinicio de la luz indicadora de limpieza (modelo digital)**

R. La luz indicadora de limpieza no se reinicia automáticamente. Mantenga presionado el botón de encendido (botón A en el manual de instrucciones) hasta que la luz deje de parpadear. La luz se enciende de forma automática aproximadamente 14 días después de enchufar la unidad.

P. **El higrómetro de la unidad indica un nivel de humedad distinto que un higrómetro externo.**

R. No todos los higrómetros están calibrados del mismo modo. La mayoría presenta un margen de error de +/-5%. Además, el nivel de humedad no es el mismo en todos los puntos de la habitación. La circulación del

aire es diferente en cada parte del cuarto. No coloque la unidad cerca de un radiador, pues el calor absorberá toda la humedad.

**P. El nivel de humedad no varía, o no se alcanza el nivel de humedad deseado.**

R. Si el tanque de agua debe ser rellenado más de una vez al día, la unidad funciona correctamente y las condiciones climáticas de la habitación tienen influencia sobre el nivel de humedad.

**Posibles motivos de un nivel de humedad bajo:**

- Exceso de ventilación (el aire de la habitación se renueva por completo varias veces al día, por lo que el humidificador debe empezar su trabajo desde cero).
- Aislamiento del hogar (ver circulación del aire).
- Espacio abierto con techos altos (además de los metros cuadrados de la casa, hay que tener en cuenta la altura del techo) – los edificios con techos altos requieren mayor humidificación.
- Ventanas abiertas – sucede lo mismo que cuando hay exceso de ventilación (si en el exterior hace mucho frío, no abra la ventana más de 2 veces al día, durante un intervalo de 3 minutos).
- Mucha diferencia entre la temperatura exterior e interior – cuanto más frío sea el aire, más bajo será el nivel de humedad; y cuanto más caliente sea el aire, menor será el porcentaje de humedad relativa (=cantidad de vapor de agua presente en el aire, comparado con la cantidad máxima que podría admitir el aire si estuviera completamente saturado).
- Posición de la unidad. Si está situada cerca de una puerta, ventana o punto de ventilación, aumentará la circulación del aire.

**P. El tanque pierde agua.**

R. Compruebe que no haya ninguna rajadura. La garantía no cubrirá unidades o tanques que se hayan dejado caer. Por favor, póngase en contacto con la tienda donde haya comprado la unidad en caso de haberla recibido dañada.

**P. No acerque su cara demasiado al chorro de vapor.**

R. No es recomendable colocar la cara directamente sobre el chorro de vapor. El humidificador es un aparato eléctrico, no un juguete.

**P. No sale vapor / El aparato no funciona / El indicador de “tanque vacío” no deja de parpadear.**

R. Llene el tanque de agua. Compruebe si circula agua por el A250 AQUA PRO (unido al tapón del depósito de agua). Si el depósito de agua está lleno, pero solo hay una pequeña cantidad de agua en la base, esto indica que el agua circula por el A250 AQUA PRO.

- Espere 15 minutos hasta que la unidad comience a emitir vapor.
- Si la unidad no funciona y el indicador de ‘tanque vacío’ no parpadea, podría ser que usted haya puesto el nivel de humedad deseado demasiado bajo y que el nivel de humedad actual en el cuarto sea mayor. En tal caso, la unidad se apaga automáticamente.
- Si el indicador de ‘tanque vacío’ parpadea, pero el tanque está lleno, el agua no fluye a través del cartucho. Cambie el A250 AQUA PRO cada 2 a 6 meses; en zonas de aguas duras, cambie el cartucho cada 1 a 2 meses. En cualquier caso, debe cambiar el A250 AQUA PRO a más tardar cada 6 meses o la unidad ya no volverá a alcanzar su máximo rendimiento.

**P. La tapa del tanque no se puede desenroscar.**

R. Esto podría ser debido a la presión del aire dentro del tanque de agua. Para sacar aire del tanque, presione el resorte en la base de la tapa del tanque de agua. Repita este proceso hasta que pueda desenroscar la tapa del tanque de agua.

## Accesorios

**P. ¿Debo conservar alguna parte antes de cambiar el A250 AQUA PRO?**

R. Sí, conserve el tapón del depósito de agua (es la pieza que une el A250 AQUA PRO con el depósito de agua).

**P. ¿Qué es el Hydro Cell y cuánto dura?**

R. El Hydro Cell mantiene los humidificadores funcionando a su máximo nivel entre las limpiezas recomendadas\*. El Hydro Cell, que dura aproximadamente uno o dos meses, dependiendo de la calidad del agua, asegura que el humidificador siga funcionando y manteniendo un rendimiento óptimo. Debe reemplazarlo cada uno o dos meses\*.

\*Depende de la calidad del agua.

**P. Colocación del Hydro Cell**

R. Ver la figura 26/27 por instrucciones.

**P. ¿Qué es EZCal y EZCal PRO?**

R. La caja de su humidificador viene con una muestra de EZCal y EZCal PRO incluida. EZCal y EZCal PRO sirve para limpiar y descalcificar cualquier humidificador. También elimina restos minerales. EZCal y EZCal PRO es la única solución de limpieza y descalcificación recomendada. No use ningún otro producto limpiador ya que podría dañar la unidad. El uso de cualquier solución de limpieza que no sea EZCal y EZCal PRO anulará la garantía. Las instrucciones de uso están en la caja. Utilice sólo un envase por cada 32 onzas de agua. No modifique la proporción. EZCal y EZCal PRO también se puede utilizar con humidificadores de otras marcas. Enjuague completamente la base con agua potable después de usar EZCal y EZCal PRO y asegúrese de que no quede nada de EZCal y EZCal PRO en la base. EZCal y EZCal PRO está disponible en algunas tiendas y en [www.boneco.us](http://www.boneco.us).

**Para poner en marcha el A250 AQUA PRO, consulte el manual adjunto.**









Please check our website [www.boneco.us](http://www.boneco.us)  
for further information.